

Disc Brake Pads **GOLDfren**

PART NUMBER

088

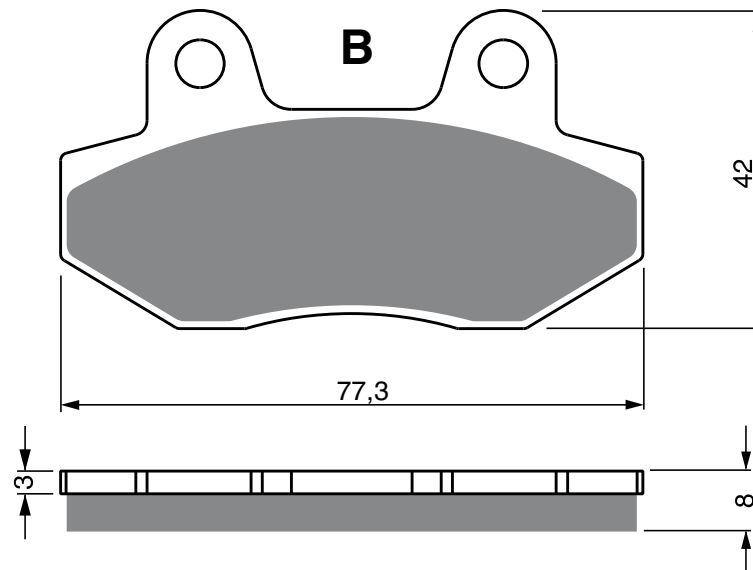
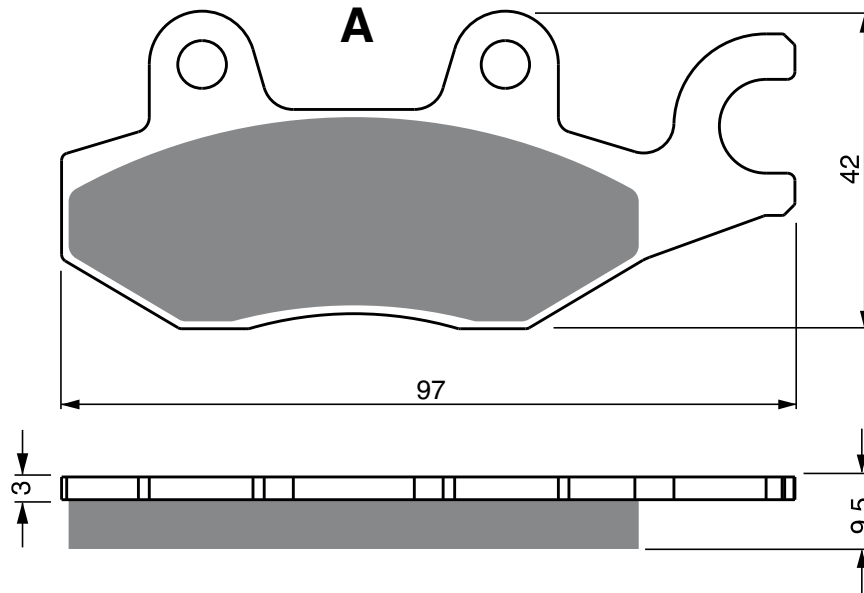
AD

**S3
RACING**

K1

K5

**S33
RACING**



CAGIVA

| | | | |
|--------|-------------|-------|---|
| 500 | Canyon | 96-00 | R |
| IE 900 | Canyon | 97-00 | R |
| 900 | Gran Canyon | 97-00 | R |

DAELIM

| | | | |
|--------|----------------------|-------|---|
| SQ 125 | Freewing S2 | 06 | R |
| VJ 125 | Roadwin | 04-09 | R |
| R 250 | Roadwin Fi (VJF 250) | 08-09 | R |

HONDA

| | | | |
|------|-------------------------------|-------|---|
| NS-1 | 75 | 92- | F |
| NSF | 100 | 06- | F |
| VT | 125 C1, C2 Shadow (JC29/K406) | 99-00 | F |
| NSR | 150 | 02- | F |
| CB | 300 | 10- | F |

ITALJET

| | | | |
|-----|-------------|-------|---|
| 50 | Rollercraft | 08- | R |
| 125 | Torpedo | 07-09 | R |
| 150 | Torpedo | 08-09 | R |

KAWASAKI

| | | | |
|---------|--------|-------|---|
| KSF 250 | A8-A18 | 94-04 | F |
|---------|--------|-------|---|

AD
**S3
RACING**
K1
K5
**S33
RACING**
PART NUMBER
088
KEEWAY

| | | | |
|-----|---------|-------|---|
| 100 | Partner | 06- | F |
| 110 | Partner | 06- | F |
| 125 | Speed | 06-07 | R |
| 150 | Speed | 06- | R |

KYMCO

| | | | |
|-----|-------------------|-------|-----|
| 50 | Agility | 05- | F |
| 50 | B&W | 04- | F |
| 50 | Dink | 98-01 | F |
| 50 | New Dink | 08- | F |
| 50 | Super-9 L/C (A/C) | 02- | F |
| 50 | Yager | 01- | F |
| 100 | Cobra Racer | 99- | F |
| 125 | BaW | 99- | F/R |
| 125 | Dink | 96-99 | F |
| 125 | Grand Dink | 02- | F/R |
| 125 | Hipster | 01- | F |
| 125 | Joyride | 01- | R |
| 125 | Movie | 99- | F |
| 125 | Movie XL | 01- | F |
| 125 | New Dink | 08- | F/R |
| 125 | Quannon | 08- | F/R |
| 125 | Spacer | 99- | F/R |
| 125 | Techno GT | 06- | F |
| 125 | Yager | 01- | F/R |
| 125 | Yager GT | 09- | F |
| 125 | Zing | 96- | F |
| 150 | Bet&win | 01- | F/R |
| 150 | Dink | 99- | F/R |
| 150 | Grand Dink | 02- | F/R |
| 150 | Hipster | 01- | F |
| 150 | Joyride | 01- | R |
| 150 | Movie XL | 01- | F |
| 150 | Spacer | 99- | F/R |
| 150 | Yager | 01- | F/R |
| 150 | Zing | 99- | F |
| 200 | Dink | 04- | F/R |
| 200 | i New Dink | 08- | F/R |
| 200 | Yager | 04- | F/R |
| 250 | BaW | 01- | F/R |
| 250 | People | 03- | F |
| 250 | Yup | 03- | F/R |
| 300 | People Si Right | 08- | F |

LONCIN

| | | | |
|-----|------------|-------|---|
| LX | 110 4 | 02- | F |
| LX | 125 | 02- | F |
| MZ | | | |
| RT | 125 | 06- | F |
| VRT | 125 Quad | 05- | R |
| | 125 SM, SX | 99-01 | R |
| | 125 SM, SX | 02- | R |
| VRT | 175 Quad | 05- | R |

SYM

| | | | |
|----|-----|-------|---|
| RS | 125 | 05- | R |
| RS | 150 | 05-06 | R |

TGB

| | | | |
|--|---------|-----|---|
| | Buffalo | 03- | R |
|--|---------|-----|---|

TRIUMPH

| | | | |
|------|--|-------|---|
| 750 | Daytona (330BEM/-) | 91-92 | R |
| 750 | Trident Left | 91-98 | R |
| 855 | Tiger | 92-97 | R |
| 900 | Daytona (T300/G190) | 91-94 | R |
| 900 | Daytona Super III | 94-97 | R |
| 900 | Daytona, Sprint | 94-96 | R |
| 900 | Daytona, Sprint Left (T300/G190) | 93-98 | R |
| 900 | Speed Triple | 94-97 | R |
| 900 | Trident Left (T300, A/G190, G413) | 91-98 | R |
| 900 | Trophy (T300/G610) | 96-00 | R |
| 900 | Trophy Left (336DDM/-) | 91-95 | R |
| T595 | 955 Daytona | 97-98 | R |
| | 955 Sprint RS | 99-02 | R |
| | 955 Tiger (Cast wheel model) from VIN 198875 | 04-06 | R |
| | 1000 Daytona (344HDM/-) | 91-95 | R |
| | 1050 Tiger | 07- | R |
| | 1050 Tiger SE (Rad Caliper) | 09- | R |
| | 1050 Tiger SE ABS | 10- | R |
| | 1200 Daytona (T300/G190) | 91-97 | R |
| | 1200 Trophy Left | 91-95 | R |

VOXAN

| | | | |
|------|-----------|-------|---|
| 1000 | Scrambler | 01-06 | R |
|------|-----------|-------|---|

YAMAHA

| | | | |
|-----|----------------------------------|-------|---|
| XTZ | 750 Super Ténéré Left (3WM/F343) | 89-95 | R |
|-----|----------------------------------|-------|---|