

## MOUNTING PROCEDURE

### KIT SAVE CARTER SUZUKI V-STROM '11 - '13

**ST6101-11**

WWW.BARRACUDAMOTO.COM

## KIT

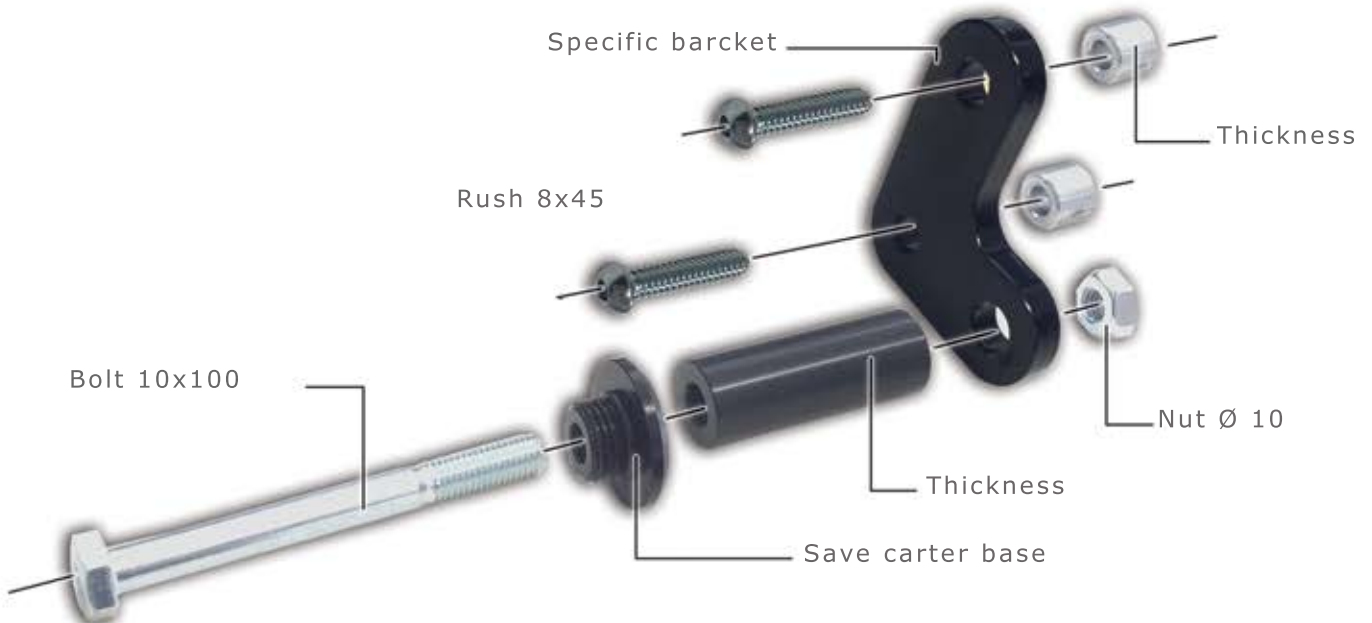
- X2 PVC HEAD
- X2 SAVE CARTER BASE
- X2 BRACKET
- X2 NUT DIAMETER 10
- X2 SPACER 60X22
- X4 THICKNESS MM 13 HIGH
- X4 RUSH 8X45 MM
- X2 BOLT 10X100 MM



REMOVE THE ORIGINAL SCREWS



INSTALL THE KIT SAVE CARTER USING THE THICKNESS BETWEEN THE CHASSIS AND THE SPECIFIC BRACKET



SEARCH AND FIND THE FIXING POINT ON THE MOTORBIKE BEFORE START TO MOUNTAIN, USE THE SPECIFIC THICKNESS AND BOLTS LIKE DESCRIBED IN THE PICTURE (SO YOU CAN GET THE RIGHT PROMINENCE FROM THE MOTORBIKE).

FIX THE PVC HEAD AFTER FIXED AND TIGHTEN ALL THE KIT ONLY