



MODEL KAWASAKI ZX-10 R

YEAR 2011-->

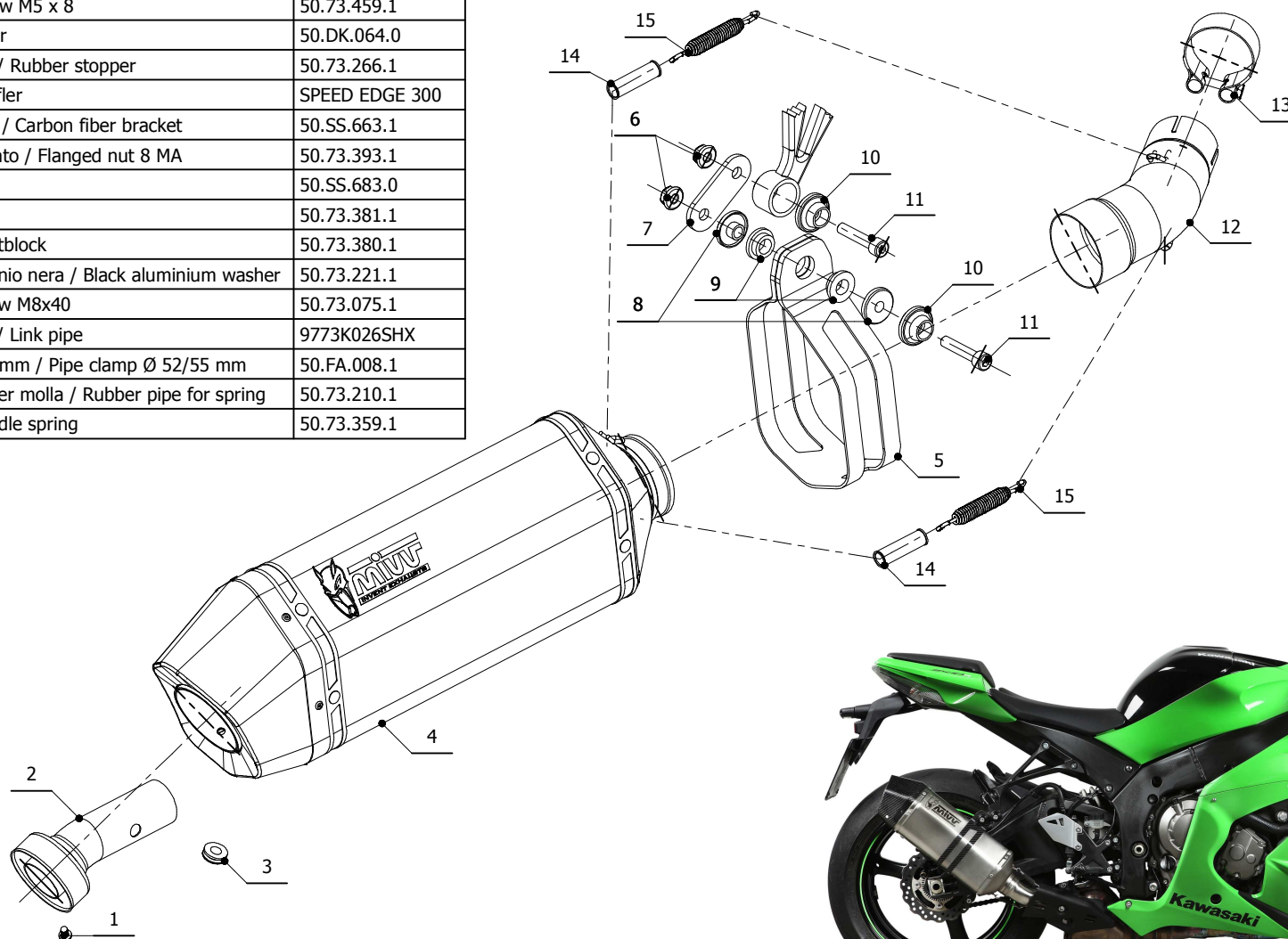
LINE SPORT

MUFFLER SPEED EDGE

SCHEMATIC

ELENCO PARTI / PARTS LIST

| # | QTÀ / QTY | DESCRIZIONE / DESCRIPTION | CODICE / CODE |
|----|-----------|---|----------------|
| 1 | 1 | Vite M5 x 8 / Screw M5 x 8 | 50.73.459.1 |
| 2 | 1 | DB killer / DB killer | 50.DK.064.0 |
| 3 | 1 | Tappo in gomma / Rubber stopper | 50.73.266.1 |
| 4 | 1 | Silenziatore / Muffler | SPEED EDGE 300 |
| 5 | 1 | Staffa in carbonio / Carbon fiber bracket | 50.SS.663.1 |
| 6 | 2 | Dado 8 MA flangiato / Flanged nut 8 MA | 50.73.393.1 |
| 7 | 1 | Staffa / Bracket | 50.SS.683.0 |
| 8 | 2 | Boccola / Bush | 50.73.381.1 |
| 9 | 2 | Silentblock / Silentblock | 50.73.380.1 |
| 10 | 2 | Rondella in alluminio nera / Black aluminium washer | 50.73.221.1 |
| 11 | 2 | Vite M8x40 / Screw M8x40 | 50.73.075.1 |
| 12 | 1 | Tubo di raccordo / Link pipe | 9773K026SHX |
| 13 | 1 | Fascetta Ø 52/55 mm / Pipe clamp Ø 52/55 mm | 50.FA.008.1 |
| 14 | 2 | Tubo in gomma per molla / Rubber pipe for spring | 50.73.210.1 |
| 15 | 2 | Molla media / Middle spring | 50.73.359.1 |



APPLICAZIONI / APPLICATIONS

| CODICE / CODE | TUBO / PIPE | SILENZIATORE / MUFFLER | FASCETTA / CLAMP | CODICE OMOL. / HOMOL. CODE |
|---------------|------------------|---|-------------------------|----------------------------|
| K.026.LHX | INOX / ST. STEEL | INOX (COPPE CARBONIO) / ST. STEEL (CARBON CAPS) | CARBONIO / CARBON FIBER | ME008 e9 1176 |