

## MOUNTING PROCEDURE

KIT SAVE CARTER  
HONDA CBR 1000 RR '11 - '13

**HP1101-11**

WWW.BARRACUDAMOTO.COM

## KIT

### RIGHT SIDE:

- X1. THICKNESS 30
- X1. THICKNESS 16
- X1. THICKNESS 11
- X1. BRUSH 6X60
- X1. BRUSH 6X45
- X1. BRUSH 6X40
- X1. BRUSH 8X30
- X1. WASHER Ø 6

### LEFT SIDE:

- X3. THICKNESS 30
- X3. BRUSH 6X60
- X1. BRUSH 8X30
- X3. WASHER Ø 6

### RIGHT SIDE



Brush 6X45

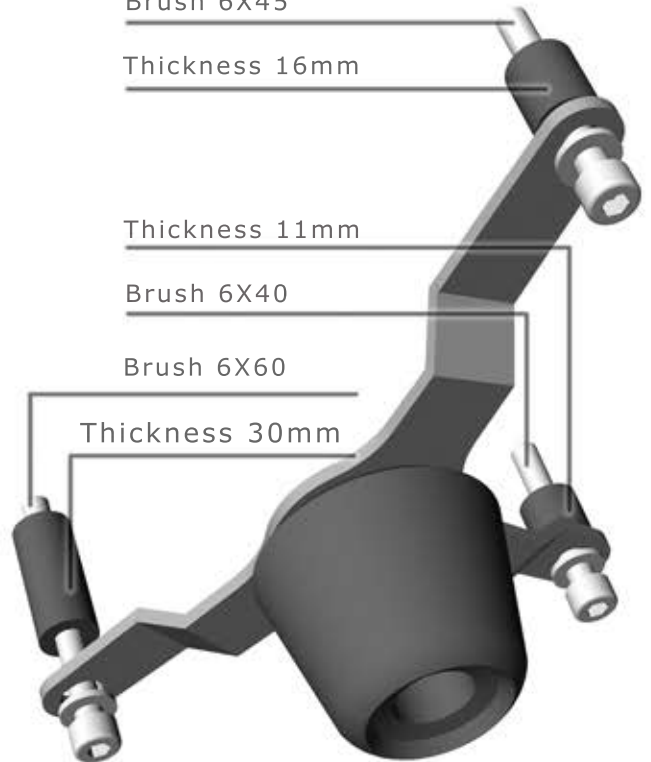
Thickness 16mm

Thickness 11mm

Brush 6X40

Brush 6X60

Thickness 30mm



### LEFT SIDE



Thickness 30mm

Brush 6X60

