

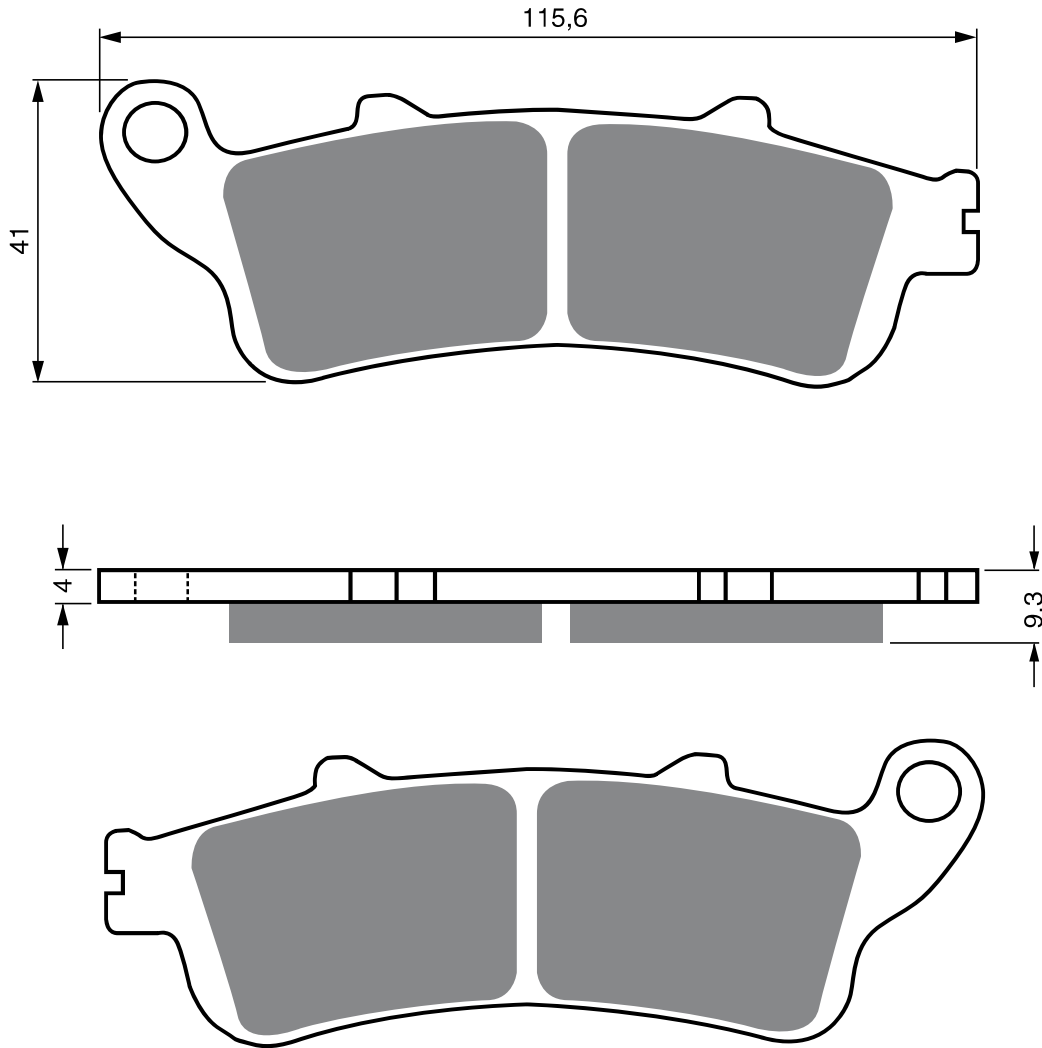
Disc Brake Pads **GOLDfren**

®

AD **S3**
RACING **S33**
RACING

PART NUMBER

135



GARELLI

250	Skynet	02	F
400	Skynet	02	F

HONDA

FES	125	Pantheon	98-02	F
FES	150	Pantheon	99-06	F
FES	250	Foresight	98-99	F
FES	250	Foresight	00-05	F

NSS	250	Y/AY/1/A1/A3/3 Forza/Forza-S/Forza-T/Forza-ST/Jazz/Reflex (MF04/MF06)	00-04	F
FJS	400	D6/D7/D8 Silverwing	06-08	F
FJS	400	S (NF01) Silverwing 400	01-05	F
ST	1100	A6 ABS-TCS-CBS (SC26/F440)	96-01	R
GL	1800	Goldwing Deluxe	08-	R

PEUGEOT

SV	250		01-02	F
----	-----	--	-------	---