

# Disc Brake Pads **GOLD** fren

PART NUMBER

**069**

**AD**

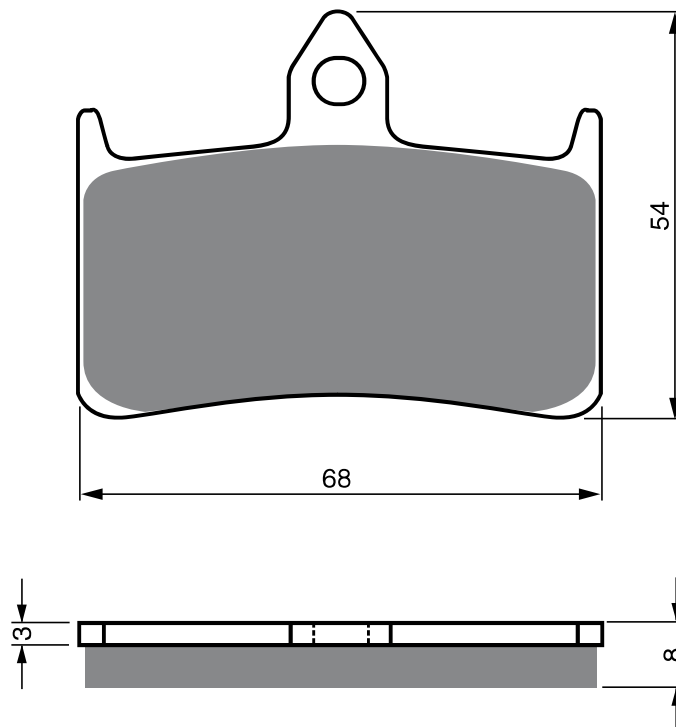
**S3  
RACING**

**GP5**

**GP6**

**GP7**

**S33  
RACING**



## HONDA

NS	125	89-90	F
CB	250 FT/FV/FX/FY/F1 Hornet	96-01	2F
NS	250	89-92	F
NSR	250 R, SP	90-92	2F
NSR	250 RJ	88-89	2F
NTV	400 Bros II	88	F
VFR	400 R (NC30/-)	91-92	2F
VTR	400 R (NC 30)	90	2F
NTV	600 Bros I	88-97	F
NTV	650 Bros	88-97	2F
NR	750 (RC40/-)	92	2F
RVF	750 RR (RC45/G670)	94-98	2F
RVF	750 RR (RC-45)	94-98	2F
VFR	750 R (RC30/E840)	88-93	2F
CB	900 F2 Hornet	02-07	2F
CBR	900 RR, Fireblade (SC28/G034)	92-93	2F
CBR	900 RR, Fireblade (SC33/H294)	94-97	2F
CB	1000 F (Big One) (SC30/G341)	93-	2F
VTR	1000 F Firestorm (SC36/H687)	97-06	2F
CB	1300 X-4 (SC38/E8E)	97-00	2F