

Disc Brake Pads **GOLD** fren

PART NUMBER

039

AD

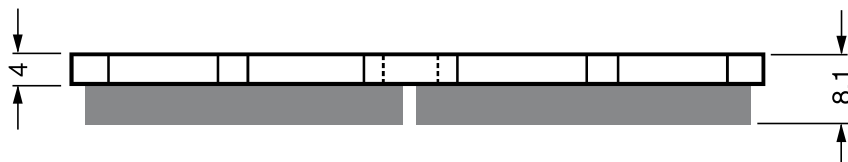
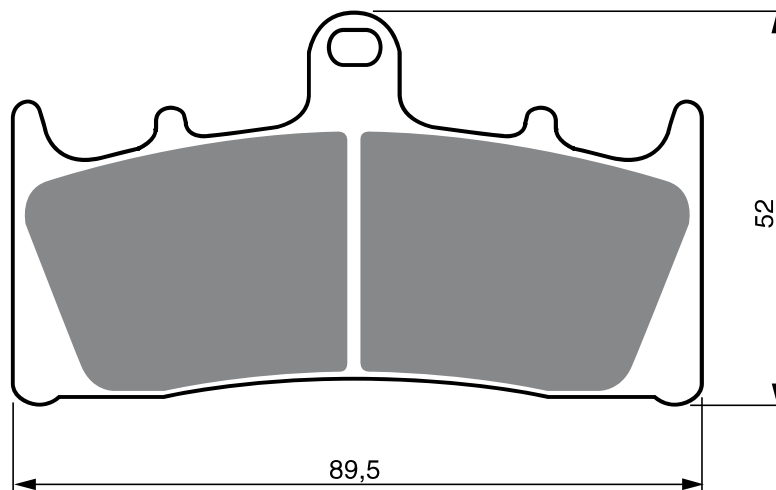
S3
RACING

GP5

GP6

GP7

S33
RACING



JAYBRAKE

	4 piston caliper	-	F
	A4 P/L	-	F

KAWASAKI

ZX-6R	600	Ninja	99-01	2F
ZX-6R	600	Ninja (ZX600G/H967)	98-99	2F
ZX-6R	636	Ninja	02	2F
ZX-7R	750	Ninja P1, P2	96-02	2F
GPZ	900	R (ZX900 A12-15)	99-02	2F
ZX-9R	900	Ninja	99-01	2F
ZX-9R	900	Ninja	00-01	2F
ZX-9R	900	Ninja (ZX900B/G588)	96-97	2F
ZX-9R	900	Ninja (ZX900C/H884)	98-99	2F
ZRX	1100	(ZRT10C/H619)	96-00	2F
ZRX	1200	R	01-08	2F
ZRX	1200	S	01-03	2F
ZRX	1200		01-03	2F

ZX-12R	1200		00-03	2F
VN	1500	Mean Street P1/P2	02-03	2F
VN	1600	B1 Mean Streak	04	2F

SUZUKI

GSX-R	750	Srad	96-99	2F
GSX-R	750	W, T, V	94-95	2F
GSX-R	1000	K1/K2	01-02	2F
TL	1000	RW	98-02	2F
TL	1000	RW (AM/H977)	98-02	2F
GSX-R	1100	WP, WR, WS, WT, WV (GU75C/G253)	93-97	2F
GSF	1200	S Bandit	01-02	2F
GSF	1200	SSK1/ZK1 (GV78A)	03-05	2F
GSX-R	1300	Hayabusa (WVA1/E4.92/61.0012.00)	99-07	2F
GSX	1400		01-07	2F
VZ	1600	K4 Marauder	04	2F