

# Disc Brake Pads **GOLD** fren

PART NUMBER

**009**

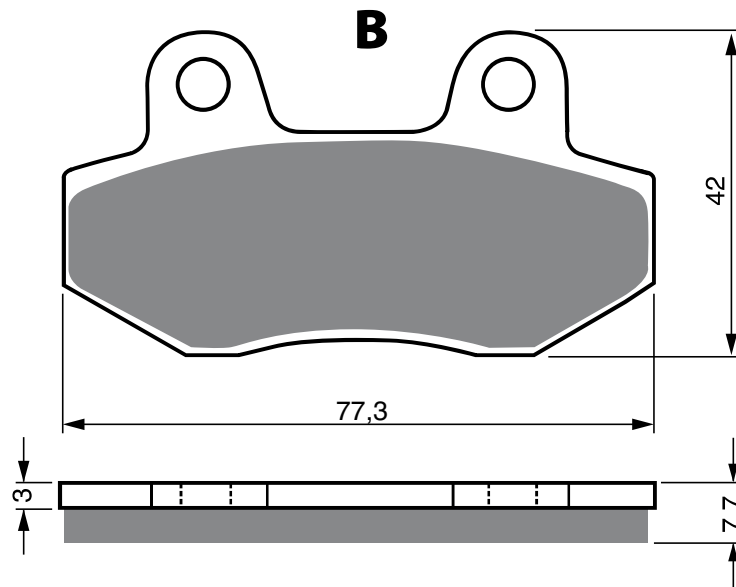
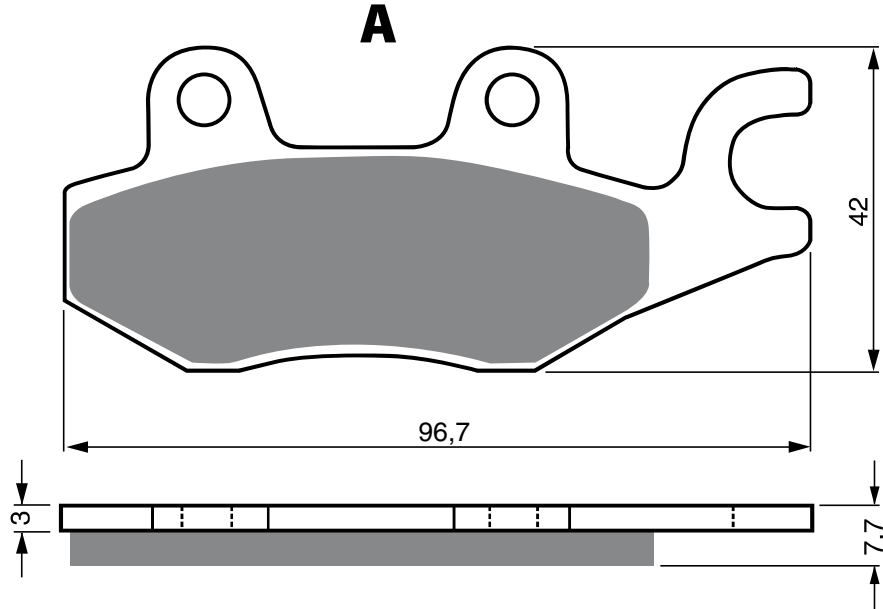
**AD**

**K1**

**K5**

**S3**  
RACING

**S33**  
RACING



**AEON**

125	Overland (AT08) (Quad)	02-	R
RS 180	Cobra (Quad)	06-	R
180	Cobra Overland	02-06	R
180	Cobra Roadster	02-06	R
350	Crossland RX	11-	R

**APACHE**

RLX 150	S	-	R
---------	---	---	---

**ARCTIC CAT**

DVX 50	Right	06-	R
DVX 90	Right	06-	R

**BENELLI**

125	Caffenero Right	08-	F
250	Caffenero Right	08-	F

**BLANEY (QUADS)**

XL 200	Trooper	03-04	R
--------	---------	-------	---

**CAGIVA**

600	Canyon	96-99	R
750	Elefant E	93-95	R
900	Canyon I.E.	97-	R
900	Elefant I.E.	90-92	R
900	Gran Canyon (M3/K325)	99-04	R
1000	Navigator, T	00-05	R

**CAN-AM**

800	R Commander (Left)	11-	F
1000	Commander (Left)	11-	F
1000	X Commander (Left)	11-	F
1000	XT Commander (Left)	11-	F

**CF MOTO**

CF 500	-3 (Rancher 500 Side x Side) (Left)	10-	F
--------	-------------------------------------	-----	---

**CPI**

XT 50	Quad	06-09	R
-------	------	-------	---

**AD**
**K1**
**K5**
**S3  
RACING**
**S33  
RACING**
**PART NUMBER**
**009**
**E-TON**

EXL	150	Viper T	05-07	R
EXL	150	Yukon ST	05-06	R
LXL	150	Challenger	03-	R
RXL	150	Viper	05-06	R
ST	150	EXL Yukon	03-	R

**GAS GAS**

KZ	450	RV Quad Right	06-	F
----	-----	---------------	-----	---

**GOES**

G	520	UTX (Side x Side) (Left)	10-	F
---	-----	--------------------------	-----	---

**HONDA**

NSR	50	Mini	00-04	R
NSR	50		93-99	R
XR	50	M5 (AD14) Motard	05	F
NSR	100		93-99	F
VT	125	C1, C2 Shadow (JC29/K406)	99-00	F
VT	125	C2 Shadow	99-	F
VT	125	C2 Shadow (JC32/e09/0043)	01-	F
XLV	125	Varadero (JC32/e9/0043)	01-	F
CA	250	Rebel	90-	F
CBF	250		04-	F

**HYOSUNG**

XXR	125	Supermoto	07-09	R
-----	-----	-----------	-------	---

**JINCHENG**

JC	125	2A/3A	97-	F
----	-----	-------	-----	---

**JONWAY**

YY	125		08-09	F/R
YY	150		08-09	F/R
YY	250	/250 A	08-09	F/R

**KAWASAKI**

	115	Kazer	-	F
BN	125	Eliminator A3	00-	2F
EX	250	J8F Ninja	08-	F/R
KLF	300	C1-C12 Bayou, (Right)	89-05	F
KLF	400	B1-B7 Bayou (Right)	93-99	F
KVF	650	F7F/F8F Brute Force 4x4i Hardwoods Green Right	07-08	F
KVF	650	G7F/G8F Brute Force 4x4i Hardwoods Green Right	07-08	F
KVF	650	H7F/H8F Brute Force 4x4i Right	07-08	F
KRF	750	A8F/B8F Teryx 4x4 (RUV) Right	08	F
KRF	750	F8F Teryx 4x4 NRA Outdoors		

(RUV) Right 08 F

KRF	750	LE (RUV) C8F/D8F Teryx 4x4 Right	08	F
-----	-----	-------------------------------------	----	---

KVF	750	Brute Force 4X4 i (Right)	05-06	F
-----	-----	---------------------------	-------	---

KVF	750	E8FA Brute Force 4x4 Hardwoods Green HD Right	08-	F
-----	-----	--	-----	---

**KREIDLER**

	125	Florett D	07-	F
--	-----	-----------	-----	---

	125	Florett RMC-F	07-	F
--	-----	---------------	-----	---

**KYMCO**

	125	Pulsar	01-	F
--	-----	--------	-----	---

	250	People S	06	F
--	-----	----------	----	---

**MBK**

TZR	50	X-Blazer	00-	F
-----	----	----------	-----	---

**MODENAS**

	115	Kriss	-	F
--	-----	-------	---	---

**MOTOR UNION**

HK	250	Haoke	97-	F
----	-----	-------	-----	---

**MOTO-ROMA**

	110	Go-Go	02-	F
--	-----	-------	-----	---

	300	Geko Quad	04-06	R
--	-----	-----------	-------	---

**SUZUKI**

LT-F	300	FK2 (Left)	00-02	R
------	-----	------------	-------	---

LT-F	300	FK2 (Right)	00-02	F
------	-----	-------------	-------	---

LT-R	450	K6 (Right)	06-	F
------	-----	------------	-----	---

LT-A	500	FY Quadmaster Right	00-01	F
------	-----	---------------------	-------	---

LT-F	500	F Right	98-02	F
------	-----	---------	-------	---

DR	800	S, Big (SR42B/F723)	91-95	R
----	-----	---------------------	-------	---

DR	800	ST Big (SR43B/F723)	96-	R
----	-----	---------------------	-----	---

**TAISHAN**

	90	Panther QUAD	04	R
--	----	--------------	----	---

	125	Hurricane QUAD	04	R
--	-----	----------------	----	---

	150	Explorer QUAD	04-	R
--	-----	---------------	-----	---

	200	Tornado QUAD	04	R
--	-----	--------------	----	---

**TGB**

	400	Quadblade	06-	R
--	-----	-----------	-----	---

**TRIUMPH**

	750	Trident Right	91-98	F
--	-----	---------------	-------	---

	900	Bonneville	05-08	R
--	-----	------------	-------	---

	900	Bonneville T100	05-08	R
--	-----	-----------------	-------	---

	900	Daytona, Sprint Right (T300A/G413)	93-98	F
--	-----	------------------------------------	-------	---

	900	Tiger Right (T400/G427)	93-98	F
--	-----	-------------------------	-------	---

	900	Trident Right (T300, A/G190, G413)	91-98	F
--	-----	------------------------------------	-------	---

	900	Trophy Left (336DDM/-)	91-95	F
--	-----	------------------------	-------	---

	955	Tiger	04-06	R
--	-----	-------	-------	---

	1000	Trophy Right	91-95	F
--	------	--------------	-------	---

	1200	Throphy	96-	R
--	------	---------	-----	---

**YAMAHA**

FZR	50		90-	F
-----	----	--	-----	---

TZM	50	R	94-	F
-----	----	---	-----	---

TZM	50		90-92	F
-----	----	--	-------	---

TZR	50	R	93-96	F
-----	----	---	-------	---

TZR	50	Thunderkid (SDU1/3)	97-00	R
-----	----	---------------------	-------	---

TZR	50		90-92	F
-----	----	--	-------	---

TZR	50		93-02	F
-----	----	--	-------	---

YXR	66	FAS/FAT Rhino 4x4 Side x Side (Right)	04-05	F
-----	----	---------------------------------------	-------	---

XTZ	125	K/E	05-10	F
-----	-----	-----	-------	---

XTZ	250	Lander (Brasil) (4B41/2)	07-09	F
-----	-----	--------------------------	-------	---

YBR	250		07-	F
-----	-----	--	-----	---

YFZ	450	RY/RZ (Quad) (Right)	09-	F
-----	-----	----------------------	-----	---

YFZ	450	S (Right)	04-08	F
-----	-----	-----------	-------	---

YFZ	450	V/W/X (right)	06-08	F
-----	-----	---------------	-------	---

YXR	450	Rhino Right	06-	F
-----	-----	-------------	-----	---

YFZ	660	Rhino Right	05-	F
-----	-----	-------------	-----	---

YFM	700	RV/RW Raptor (Right)	06-10	F
-----	-----	----------------------	-------	---

YFM	700	RY (right)	09-	F
-----	-----	------------	-----	---

YXR	700	Rhino 4x4 SE (left)	09-	F
-----	-----	---------------------	-----	---

XTZ	750	Super Ténéré Right (3WMM/F343)	89-95	F
-----	-----	--------------------------------	-------	---