

## MOUNTING PROCEDURE

KIT SAVE CARTER  
SUZUKI GLADIUS

**SU6101**

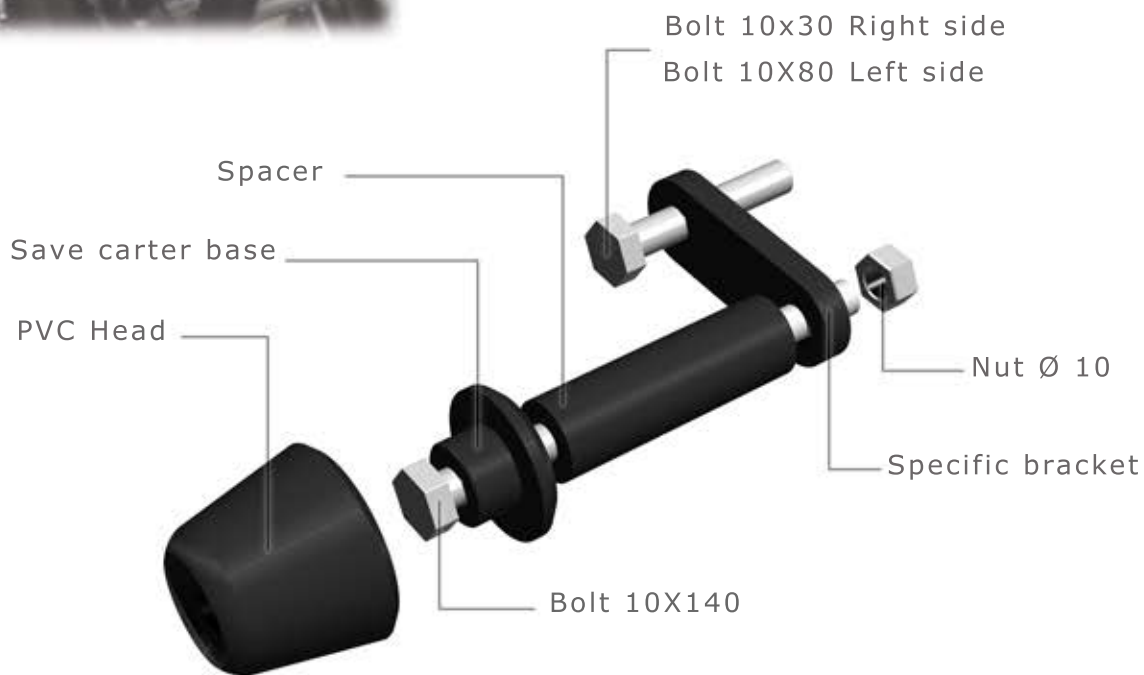
WWW.BARRACUDAMOTO.COM

## KIT

- X2. PVC HEAD
- X2. SAVE CARTER BASE
- X2. SPECIFIC BRACKET
- X2. SPACER
- X1. BOLT 10X30
- X1. BOLT 10X80
- X2. BOLT 10X140
- X2. NUT DIAMETER 10
- X2. WASHER DIAMETER 10



ATTACK POINT TO THE CHASSIS



SEARCH AND FIND THE FIXING POINT ON THE MOTORBIKE BEFORE START TO MOUNTAIN, USE THE SPECIFIC THICKNESS AND BOLTS LIKE DESCRIBED IN THE PICTURE (SO YOU CAN GET THE RIGHT PROMINENCE FROM THE MOTORBIKE).  
FIX THE PVC HEAD AFTER FIXED AND TIGHTEN ALL THE KIT ONLY.