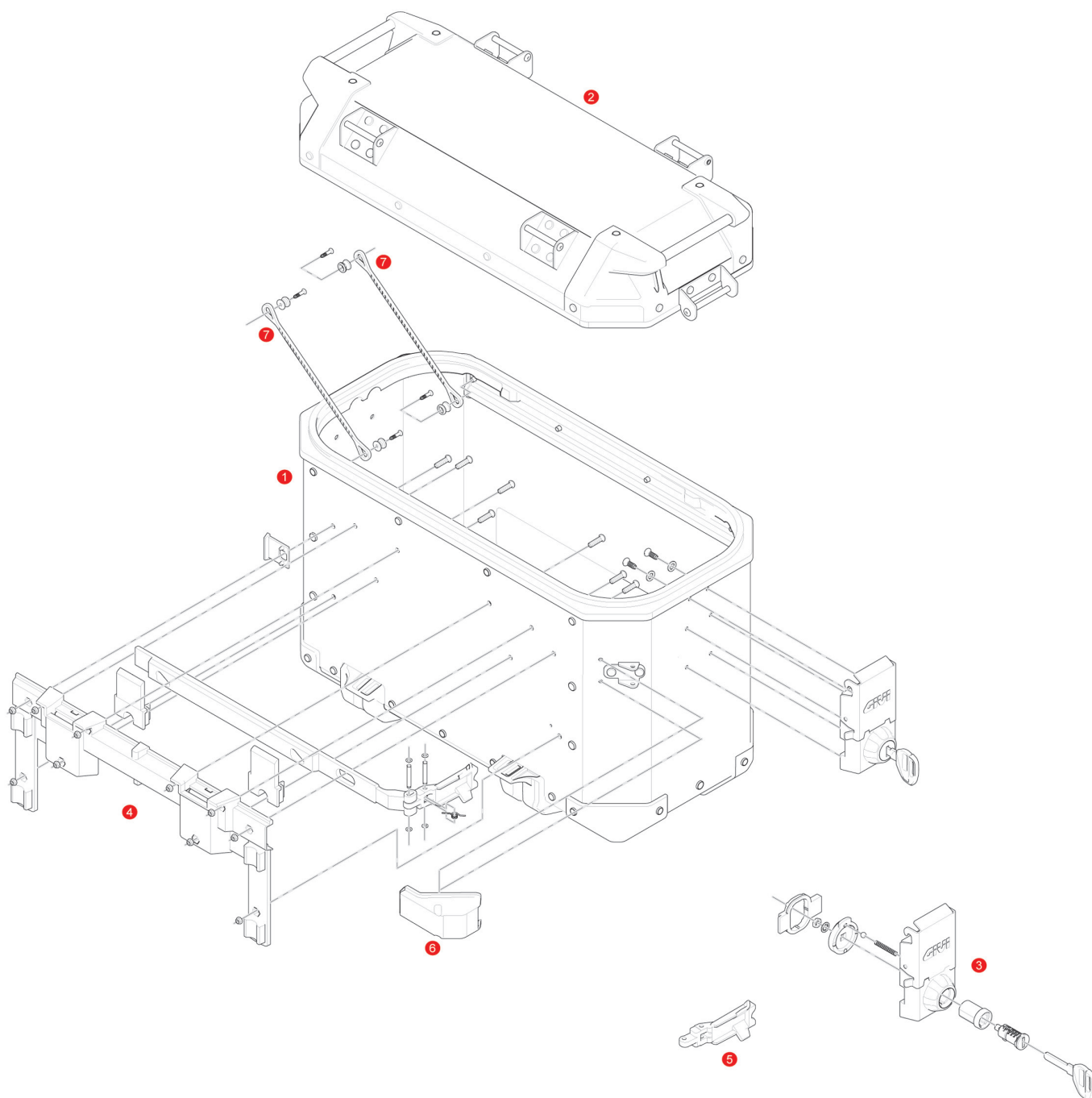


## TREKKER OUTBACK



<b>ZOBK37ALFM</b>	OBK37AL assembled Bottom Shell silver, left side		
<b>ZOBK37ALCM</b>	OBK37AL assembled Top Shell silver, left side		
<b>ZOBK37ARFM</b>	OBK37AR assembled Bottom Shell silver, right side		
<b>ZOBK37ARCM</b>	OBK37AR assembled Top Shell silver, right side		
<b>ZOBK37BLFM</b>	OBK37BL assembled Bottom Shell black, left side		
<b>ZOBK37BLCM</b>	OBK37BL assembled Top Shell black, left side		
<b>ZOBK37BRFM</b>	OBK37BR assembled Bottom Shell black, right side		
<b>ZOBK37BRCM</b>	OBK37BR assembled Top Shell black, right side		
<b>ZOBK48ALFM</b>	OBK48AL assembled Bottom Shell silver, left side		
<b>ZOBK48ALCM</b>	OBK48AL assembled Top Shell silver, left side		
<b>ZOBK48ARFM</b>	OBK48AR assembled Bottom Shell silver, right side		
<b>ZOBK48ARCM</b>	OBK48AR assembled Top Shell silver, right side		
<b>ZOBK48BLFM</b>	OBK48BL assembled Bottom Shell black, left side		

<b>ZOBK48BLCM</b>	OBK48BL assembled Top Shell black, left side		
<b>ZOBK48BRFM</b>	OBK48BR assembled Bottom Shell black, right side		
<b>ZOBK48BRCM</b>	OBK48BR assembled Top Shell black, right side		
<b>Z4822SXMR</b>	Left hinge stop		
<b>Z4822DXMR</b>	Right hinge stop		
<b>Z4810SXMR</b>	Rear fitting system, left side		
<b>Z4810DXMR</b>	Rear fitting system, right side		
<b>Z4830R</b>	Aluminum release lever for Trekker Outback 37 lt		
<b>Z4831R</b>	Aluminum release lever for Trekker Outback 48 lt		
<b>Z4812R</b>	Angular coverage		
<b>Z115R</b>	Stop bag opening yarn, 2 pcs.		
<b>SL101</b>	Security Lock key, including bush and under lock platelets		