

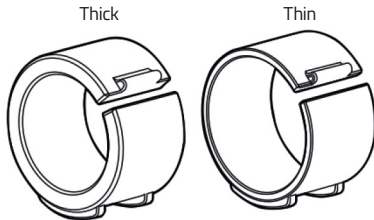
# Glpro Mount

Instructions manual

Fully adjustable handlebar mount for Glpro



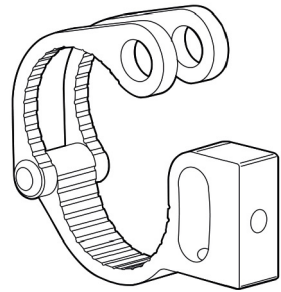
## 1 Choose the proper shim



Disassemble the clamp. Separate the plastic shims and unroll the thin shim. Depending on the target tube diameter, select the corresponding shim and place on the handlebar.

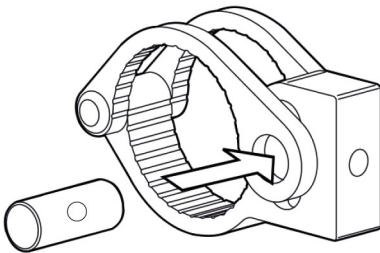
- 21-23mm (7/8") : Thick Shim
- 24-26mm (1") : Thin Shim
- 27-29mm (9/8") : Without Shim

## 2 Place the clamp on the bar



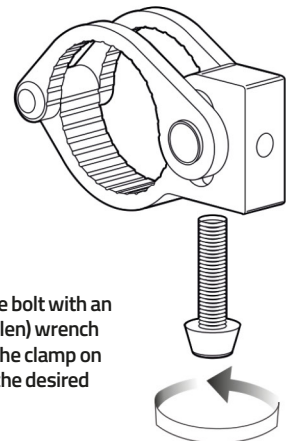
Wind the arm around the handlebar then close. If a plastic shim is used, rotate it to the correct position.

## 3 Insert the pin



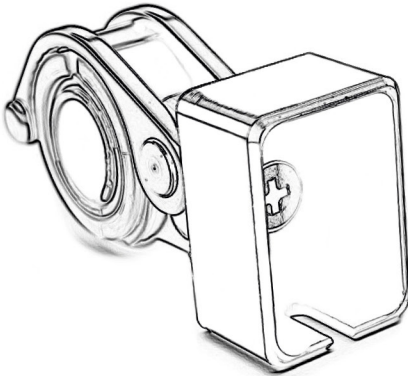
Slide the pin into place, making sure the threaded hole is aligned with the bolt hole.

## 4 Fasten the clamp



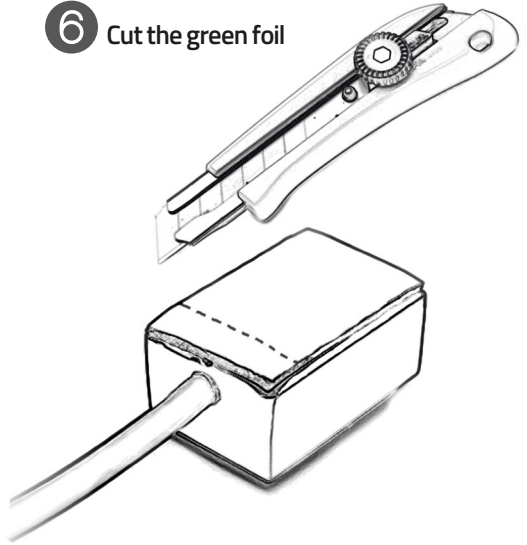
Tighten the bolt with an M5 hex (Allen) wrench to secure the clamp on the bar in the desired position.

## 5 Mount the housing



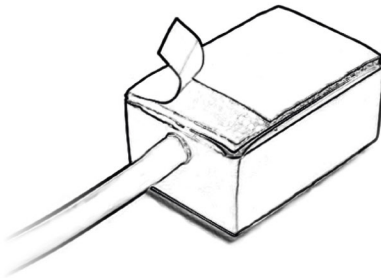
Place the housing in the desired orientation and fasten the bolt. Try the display in the housing and adjust the mount position if necessary.

## 6 Cut the green foil



Cut a small section of the green adhesive backing foil as shown.

## 7 Remove the green foil



Remove the smaller piece of the green plastic foil. Keep the larger piece on the mounting tape. Do NOT expose all the adhesive backing, otherwise you will not be able to remove the display from the mount later.

## 8 Place the unit in the mount



Insert the Glpro unit into the housing, pushing it firmly to the back to ensure good adhesion. If you ever need to remove the Glpro from the housing, use a small flat head screwdriver to lift it up. Do NOT pull the cable!