



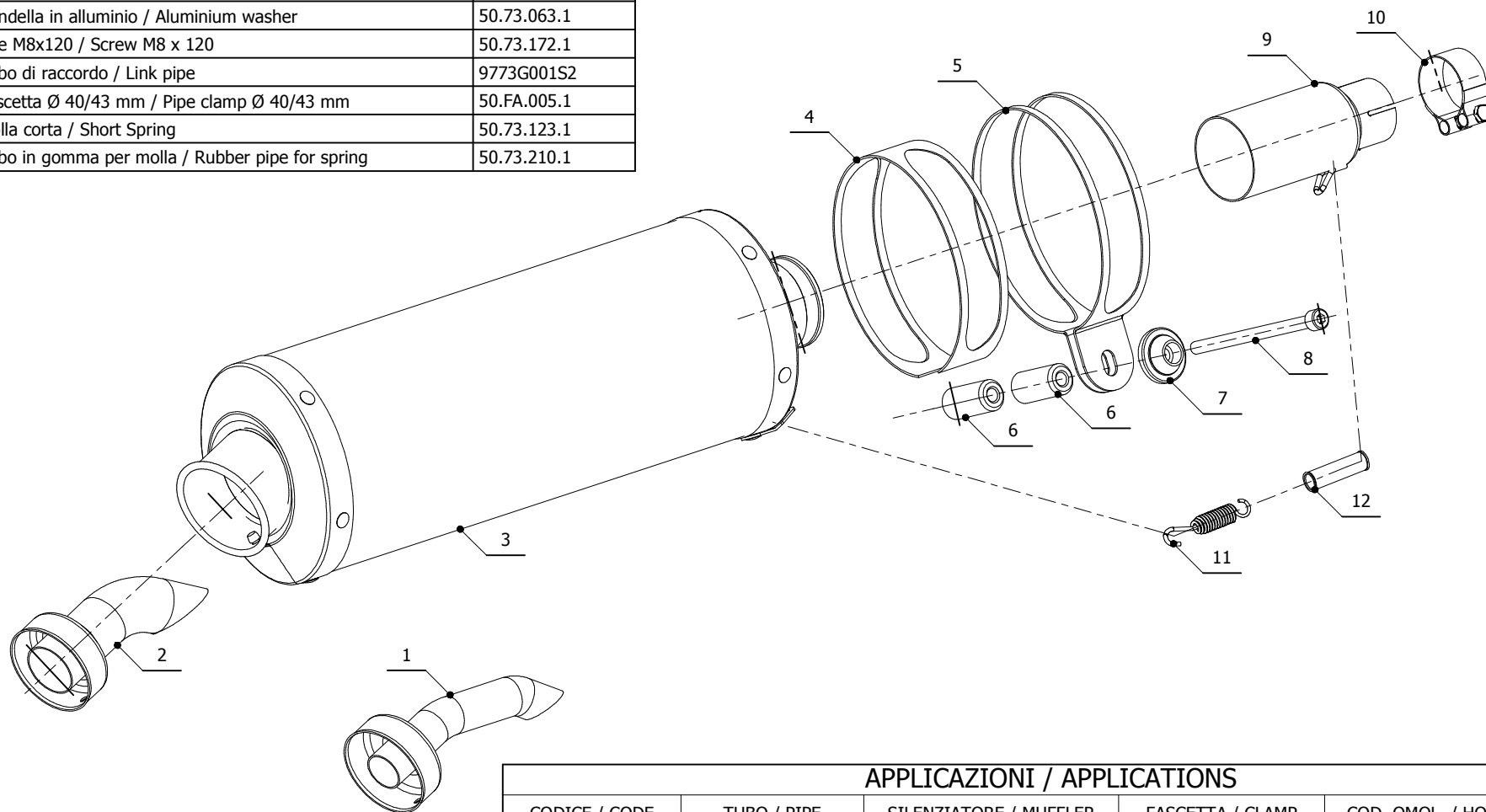
MODEL GILERA NEXUS 500
GILERA FUOCO 500
LINE SPORT

YEAR 2004 -->
2007 -->
MUFFLER OVAL

SCHEMATIC

ELENCO PARTI / PARTS LIST

#	QTÀ / QTY	DESCRIZIONE / DESCRIPTION	CODICE / CODE
1	1	DB killer / DB killer	50.DK.021.0
2	1	DB killer / DB killer	50.DK.020.0
3	1	Silenziatore / Muffler	OVAL
4	1	Protezione in gomma per staffa / Rubber protection for bracket	50.73.041.1
5	1	Staffa / Bracket	50.SS.002.0
6	2	Distanziale in alluminio / Aluminium spacer	50.SS.074.1
7	1	Rondella in alluminio / Aluminium washer	50.73.063.1
8	1	Vite M8x120 / Screw M8 x 120	50.73.172.1
9	1	Tubo di raccordo / Link pipe	9773G001S2
10	1	Fascetta Ø 40/43 mm / Pipe clamp Ø 40/43 mm	50.FA.005.1
11	1	Molla corta / Short Spring	50.73.123.1
12	1	Tubo in gomma per molla / Rubber pipe for spring	50.73.210.1



APPLICAZIONI / APPLICATIONS

CODICE / CODE	TUBO / PIPE	SILENZIATORE / MUFFLER	FASCETTA / CLAMP	COD. OMOL. / HOMOL. CODE
G.001.LE	INOX / ST. STEEL	CARBONIO / CARBON FIBER	INOX / ST. STEEL	ME041 e9 1309
G.001.LN	INOX / ST. STEEL	TITANIO / TITANIUM	INOX / ST. STEEL	ME041 e9 1309