



**MODEL** YAMAHA X-MAX 250

**YEAR** 2007-->

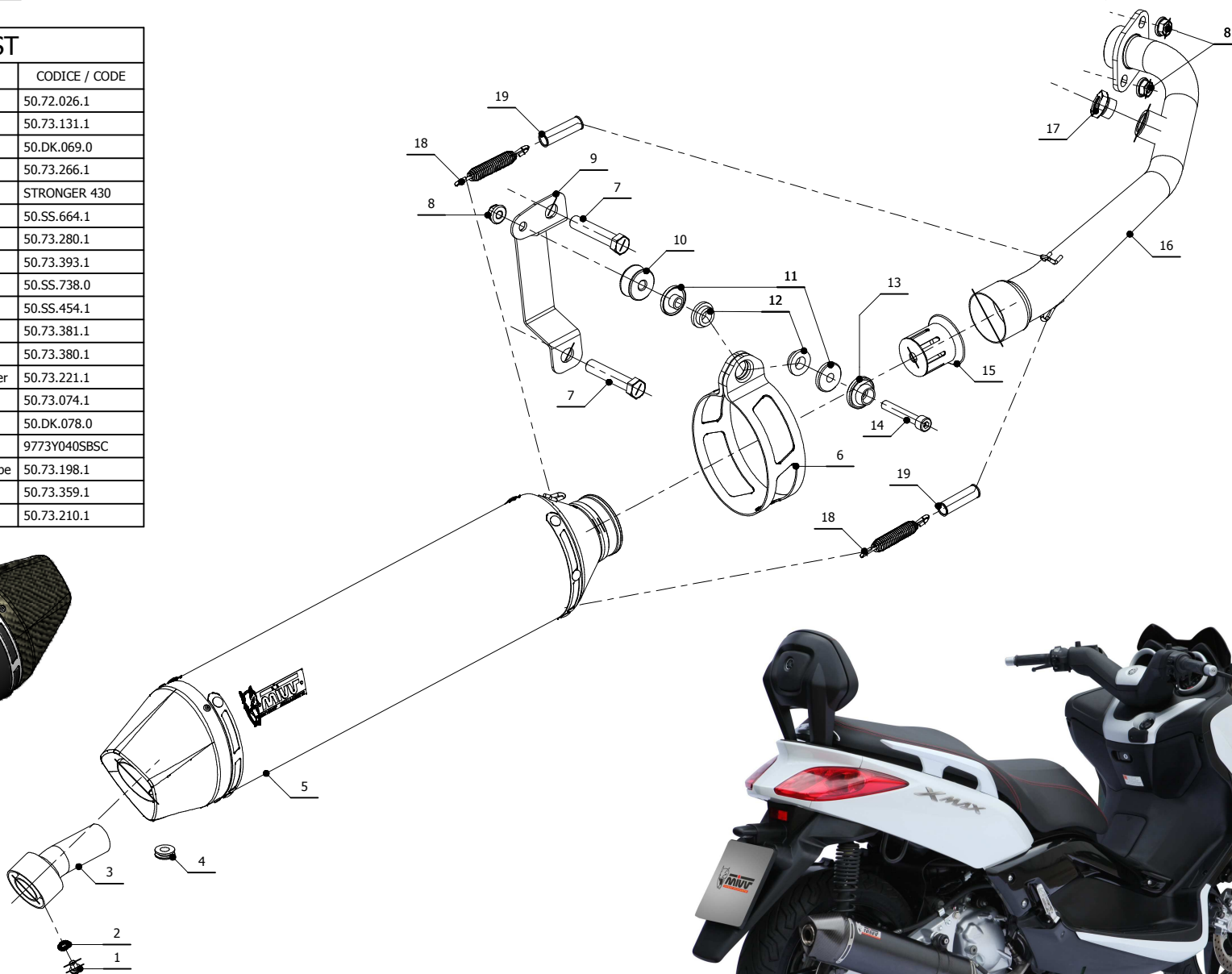
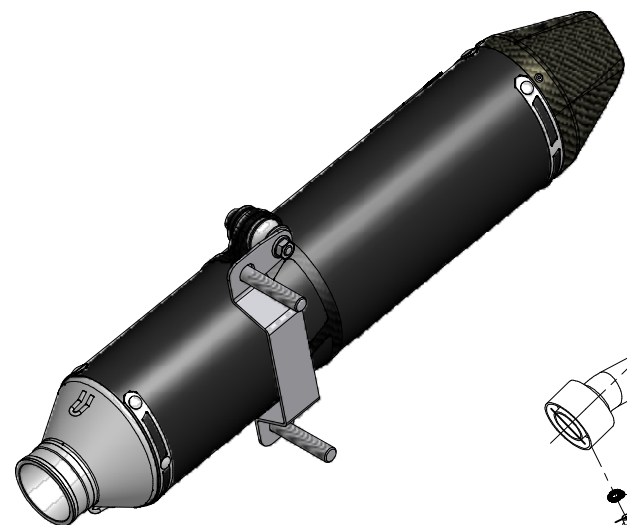
**LINE** SPORT

**MUFFLER** STRONGER

**SCHEMATIC**

**ELENCO PARTI / PARTS LIST**

#	QTÀ / QTY	DESCRIZIONE / DESCRIPTION	CODICE / CODE
1	1	Vite M6 x 8 / Screw M6 x 8	50.72.026.1
2	1	Rondella M6 / Washer M6	50.73.131.1
3	1	DB killer / DB killer	50.DK.069.0
4	1	Tappo in gomma / Rubber stopper	50.73.266.1
5	1	Silenziatore / Muffler	STRONGER 430
6	1	Staffa in carbonio / Carbon fiber bracket	50.SS.664.1
7	2	Vite M12x60 / Screw M12x60	50.73.280.1
8	3	Dado 8 MA flangiato / Flanged nut 8 MA	50.73.393.1
9	1	Staffa / Bracket	50.SS.738.0
10	1	Distanziale in alluminio / Aluminium spacer	50.SS.454.1
11	2	Boccola / Bush	50.73.381.1
12	2	Silentblock / Silentblock	50.73.380.1
13	1	Rondella in alluminio nera / Black aluminium washer	50.73.221.1
14	1	Vite M8x50 / Screw M8x50	50.73.074.1
15	1	DB killer / DB killer	50.DK.078.0
16	1	Tubo di raccordo / Link Pipe	9773Y040SBSC
17	1	Tappo per sonda lambda / Stopper for lambda probe	50.73.198.1
18	2	Molla media / Middle spring	50.73.359.1
19	2	Tubo in gomma per molla / Rubber pipe for spring	50.73.210.1



**APPLICAZIONI / APPLICATIONS**

CODICE / CODE	TUBO / PIPE	SILENZIATORE / MUFFLER	FASCETTA / CLAMP	CODICE OMOL. / HOMOL. CODE
Y.040.LBSC	INOX / ST. STEEL	STEEL BLACK	CARBONIO / CARBON FIBER	ME041 e9 1309