



MODEL YAMAHA T-MAX 500

YEAR 2008-2011

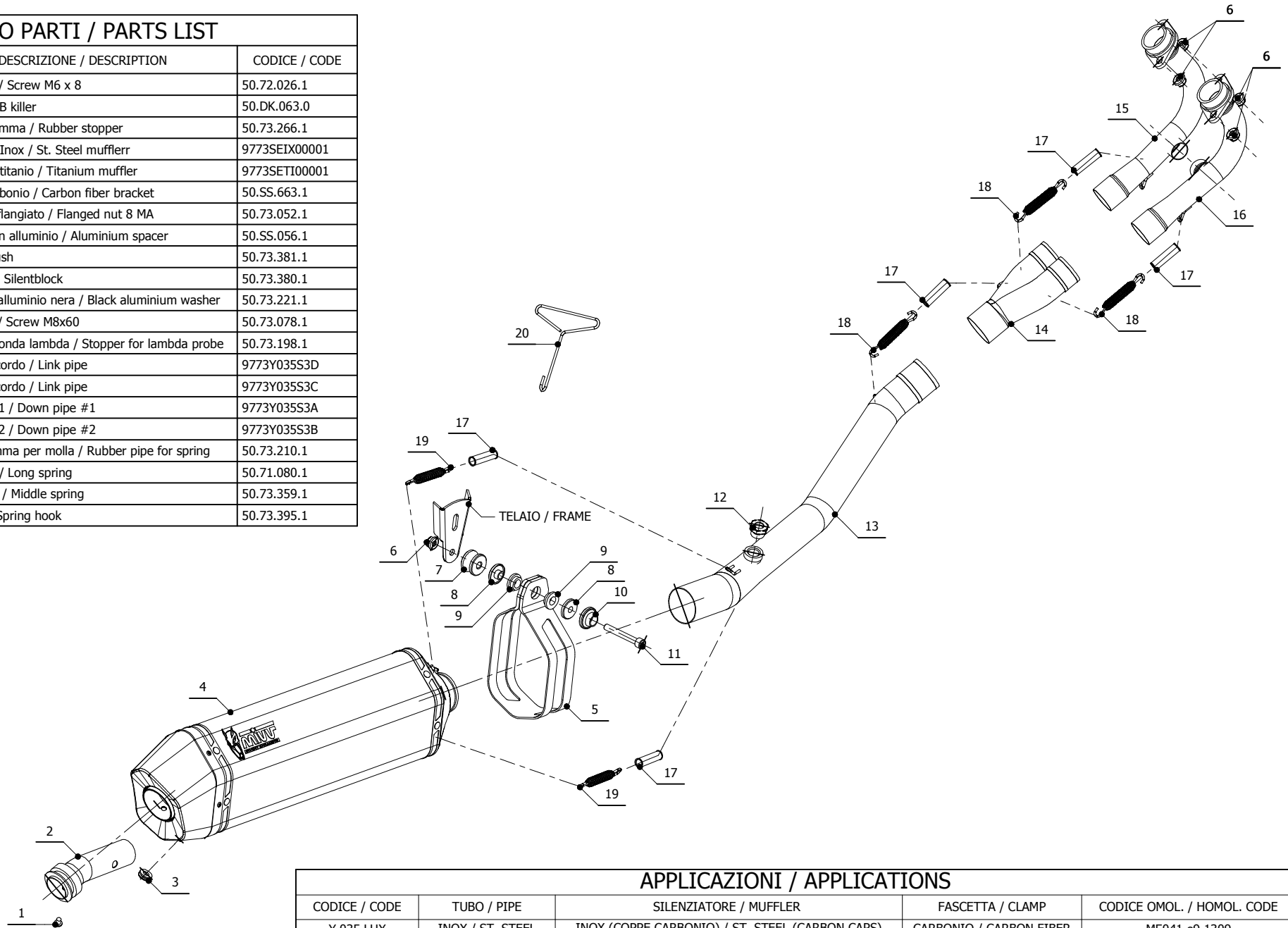
LINE SPORT

MUFFLER SPEED EDGE

SCHEMATIC

ELENCO PARTI / PARTS LIST

| # | QTÀ / QTY | DESCRIZIONE / DESCRIPTION | CODICE / CODE |
|----|-----------|---|---------------|
| 1 | 1 | Vite M6 x 8 / Screw M6 x 8 | 50.72.026.1 |
| 2 | 1 | DB killer / DB killer | 50.DK.063.0 |
| 3 | 1 | Tappo in gomma / Rubber stopper | 50.73.266.1 |
| 4 | 1 | Silenziatore Inox / St. Steel mufflerr | 9773SEIX00001 |
| 4 | 1 | Silenziatore titanio / Titanium muffler | 9773SETI00001 |
| 5 | 1 | Staffa in carbonio / Carbon fiber bracket | 50.SS.663.1 |
| 6 | 5 | Dado 8 MA flangiato / Flanged nut 8 MA | 50.73.052.1 |
| 7 | 1 | Distanziale in alluminio / Aluminium spacer | 50.SS.056.1 |
| 8 | 2 | Boccola / Bush | 50.73.381.1 |
| 9 | 2 | Silentblock / Silentblock | 50.73.380.1 |
| 10 | 1 | Rondella in alluminio nera / Black aluminium washer | 50.73.221.1 |
| 11 | 1 | Vite M8x60 / Screw M8x60 | 50.73.078.1 |
| 12 | 1 | Tappo per sonda lambda / Stopper for lambda probe | 50.73.198.1 |
| 13 | 1 | Tubo di raccordo / Link pipe | 9773Y035S3D |
| 14 | 1 | Tubo di raccordo / Link pipe | 9773Y035S3C |
| 15 | 1 | Collettore #1 / Down pipe #1 | 9773Y035S3A |
| 16 | 1 | Collettore #2 / Down pipe #2 | 9773Y035S3B |
| 17 | 5 | Tubo in gomma per molla / Rubber pipe for spring | 50.73.210.1 |
| 18 | 3 | Molla lunga / Long spring | 50.71.080.1 |
| 19 | 2 | Molla media / Middle spring | 50.73.359.1 |
| 20 | 1 | Tiramolla / Spring hook | 50.73.395.1 |



APPLICAZIONI / APPLICATIONS

| CODICE / CODE | TUBO / PIPE | SILENZIATORE / MUFFLER | FASCETTA / CLAMP | CODICE OMOL. / HOMOL. CODE |
|---------------|--------------------|---|-------------------------|----------------------------|
| Y.035.LHX | INOX / ST. STEEL | INOX (COPPE CARBONIO) / ST. STEEL (CARBON CAPS) | CARBONIO / CARBON FIBER | ME041 e9 1309 |
| Y.035.LHT | TITANIO / TITANIUM | TITANIO (COPPE CARBONIO) / TITANIUM (CARBON CAPS) | CARBONIO / CARBON FIBER | ME041 e9 1309 |