



MODEL YAMAHA FZ8 / FAZER 8

YEAR 2010-->

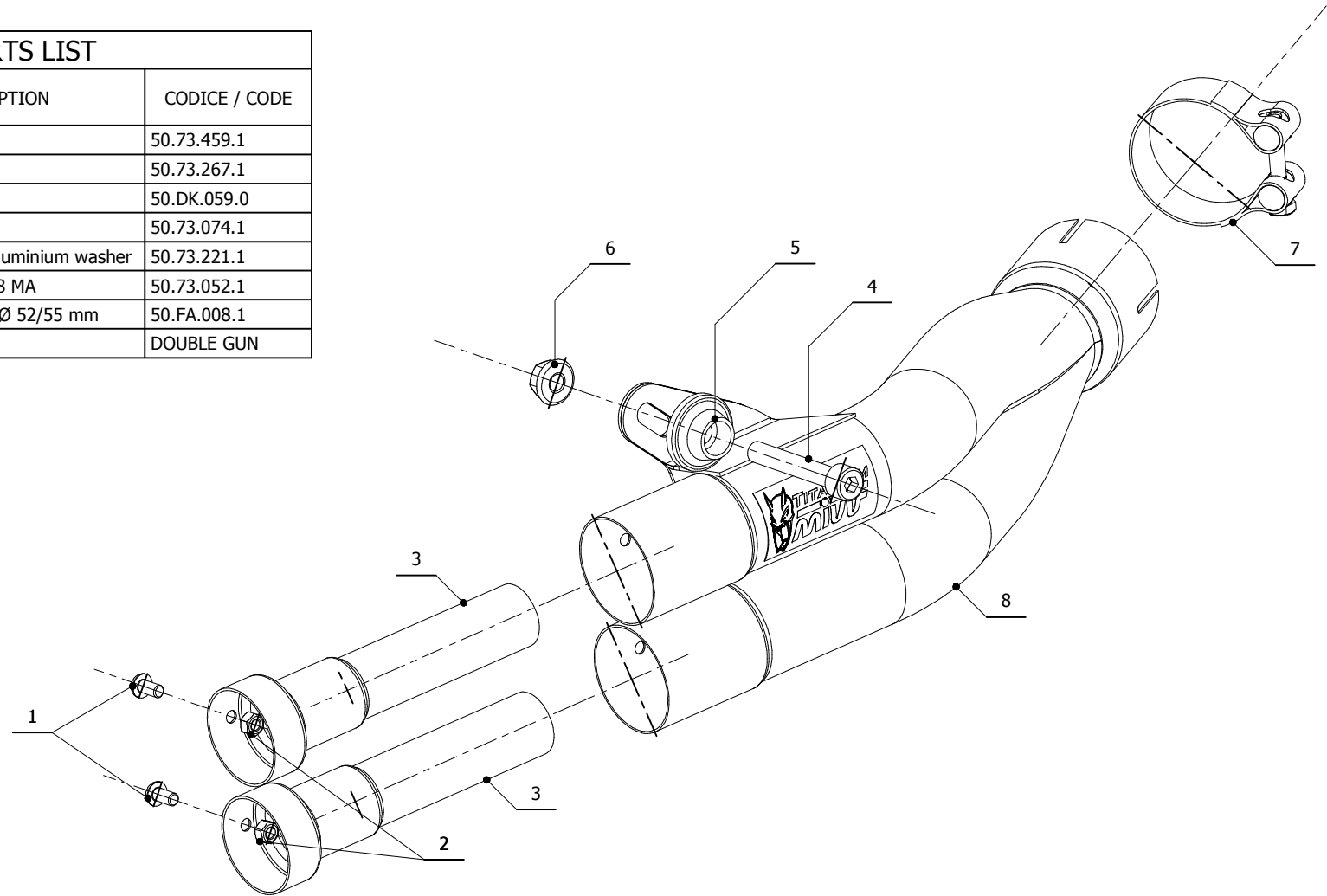
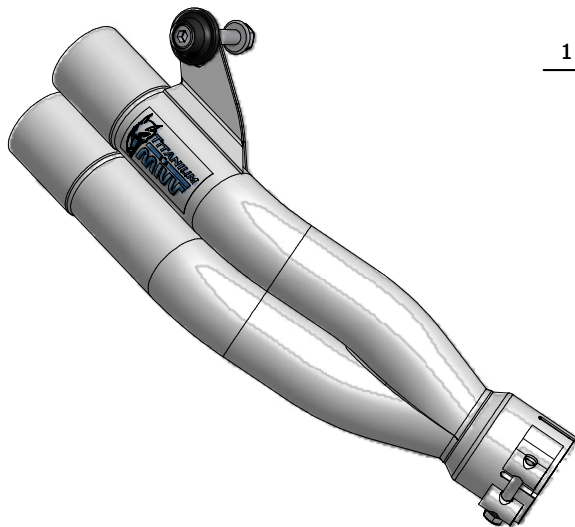
LINE SPORT

MUFFLER DOUBLE GUN

SCHEMATIC

ELENCO PARTI / PARTS LIST

#	QTÀ / QTY	DESCRIZIONE / DESCRIPTION	CODICE / CODE
1	2	Vite M5 x 8 / Screw M5 x 8	50.73.459.1
2	2	Dado M5 / M5 nut	50.73.267.1
3	2	DB killer / DB killer	50.DK.059.0
4	1	Vite M8x50 / Screw M8x50	50.73.074.1
5	1	Rondella in alluminio nera / Black aluminium washer	50.73.221.1
6	1	Dado 8 MA flangiato / Flanged nut 8 MA	50.73.052.1
7	1	Fascetta Ø 52/55 mm / Pipe clamp Ø 52/55 mm	50.FA.008.1
8	1	Silenziatore / Muffler	DOUBLE GUN



APPLICAZIONI / APPLICATIONS

CODICE / CODE	TUBO / PIPE	SILENZIATORE / MUFFLER	CODICE OMOL. / HOMOL. CODE
Y.033.SDG	---	TITANIO / TITANIUM	---