



**MODEL** YAMAHA FZ8 / FAZER 8

**YEAR** 2010-->

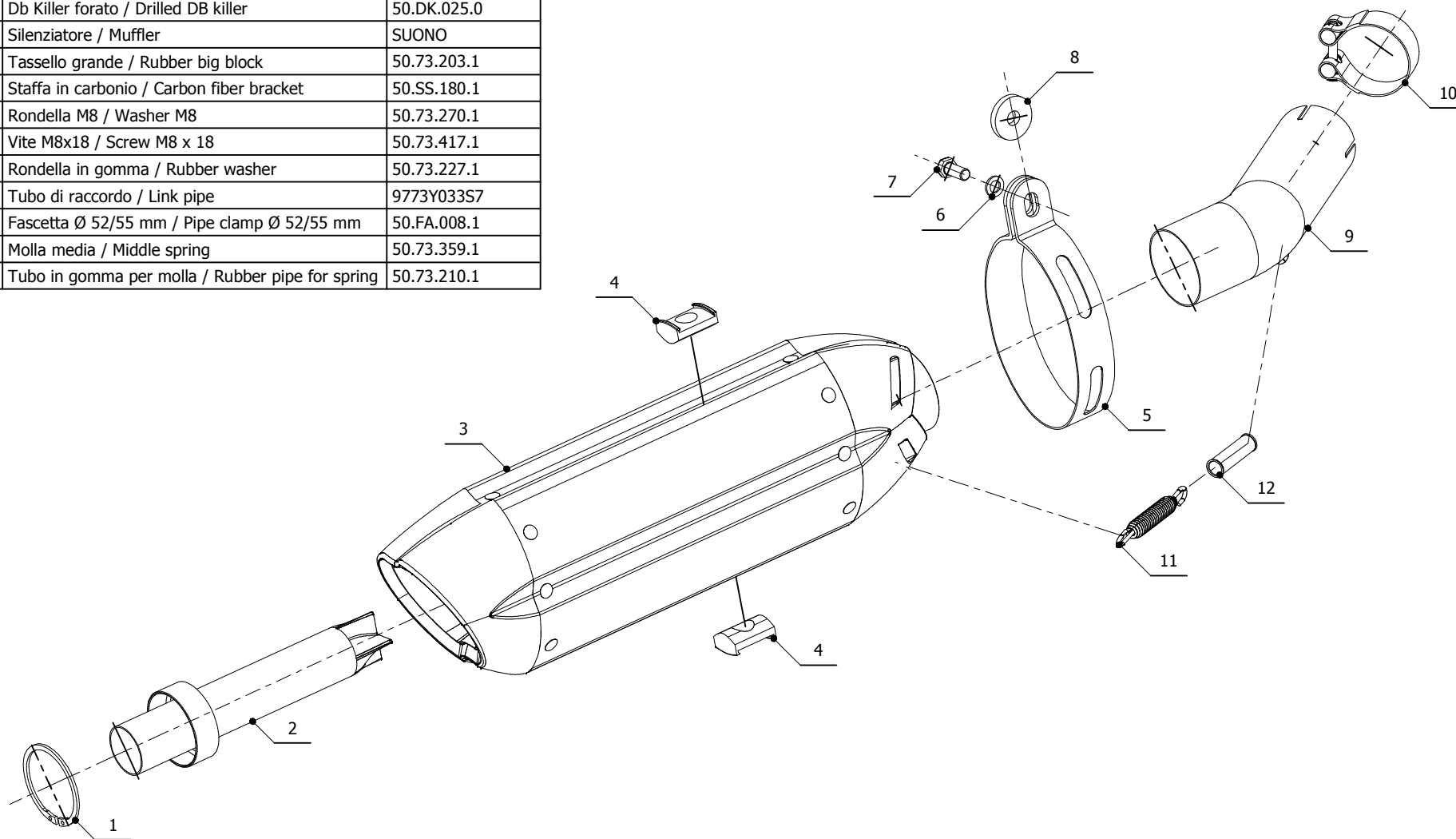
**LINE** SPORT

**MUFFLER** SUONO

**SCHEMATIC**

**ELENCO PARTI / PARTS LIST**

#	QTÀ / QTY	DESCRIZIONE / DESCRIPTION	CODICE / CODE
1	1	Anello Seger / Seger ring	50.73.218.1
2	1	Db Killer forato / Drilled DB killer	50.DK.025.0
3	1	Silenziatore / Muffler	SUONO
4	2	Tassello grande / Rubber big block	50.73.203.1
5	1	Staffa in carbonio / Carbon fiber bracket	50.SS.180.1
6	1	Rondella M8 / Washer M8	50.73.270.1
7	1	Vite M8x18 / Screw M8 x 18	50.73.417.1
8	1	Rondella in gomma / Rubber washer	50.73.227.1
9	1	Tubo di raccordo / Link pipe	9773Y033S7
10	1	Fascetta Ø 52/55 mm / Pipe clamp Ø 52/55 mm	50.FA.008.1
11	1	Molla media / Middle spring	50.73.359.1
12	1	Tubo in gomma per molla / Rubber pipe for spring	50.73.210.1



**APPLICAZIONI / APPLICATIONS**

CODICE / CODE	TUBO / PIPE	SILENZIATORE / MUFFLER	FASCETTA / CLAMP	CODICE OMOL. / HOMOL. CODE
Y.033.L7	INOX / ST. STEEL	INOX (COPPE CARBONIO) / ST. STEEL (CARBON CAPS)	CARBONIO / CARBON FIBER	ME047 e9 1356