



**MODEL** YAMAHA FZ1 / FZ1 FAZER

**YEAR** 2006-->

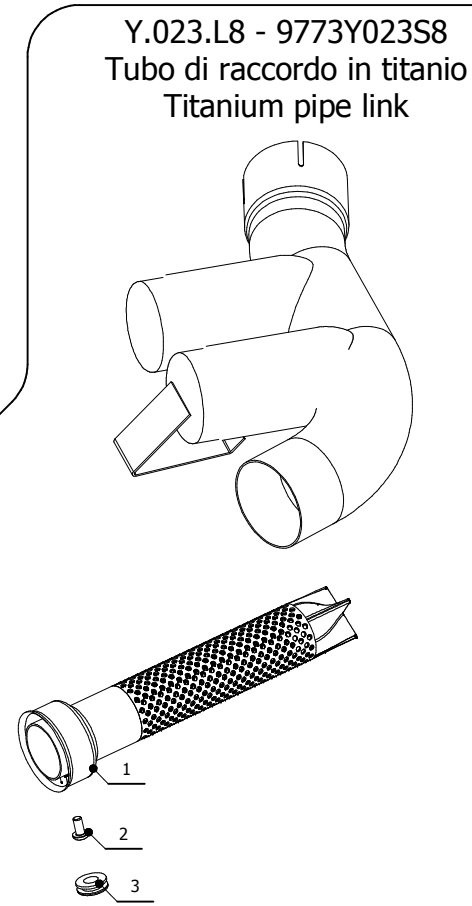
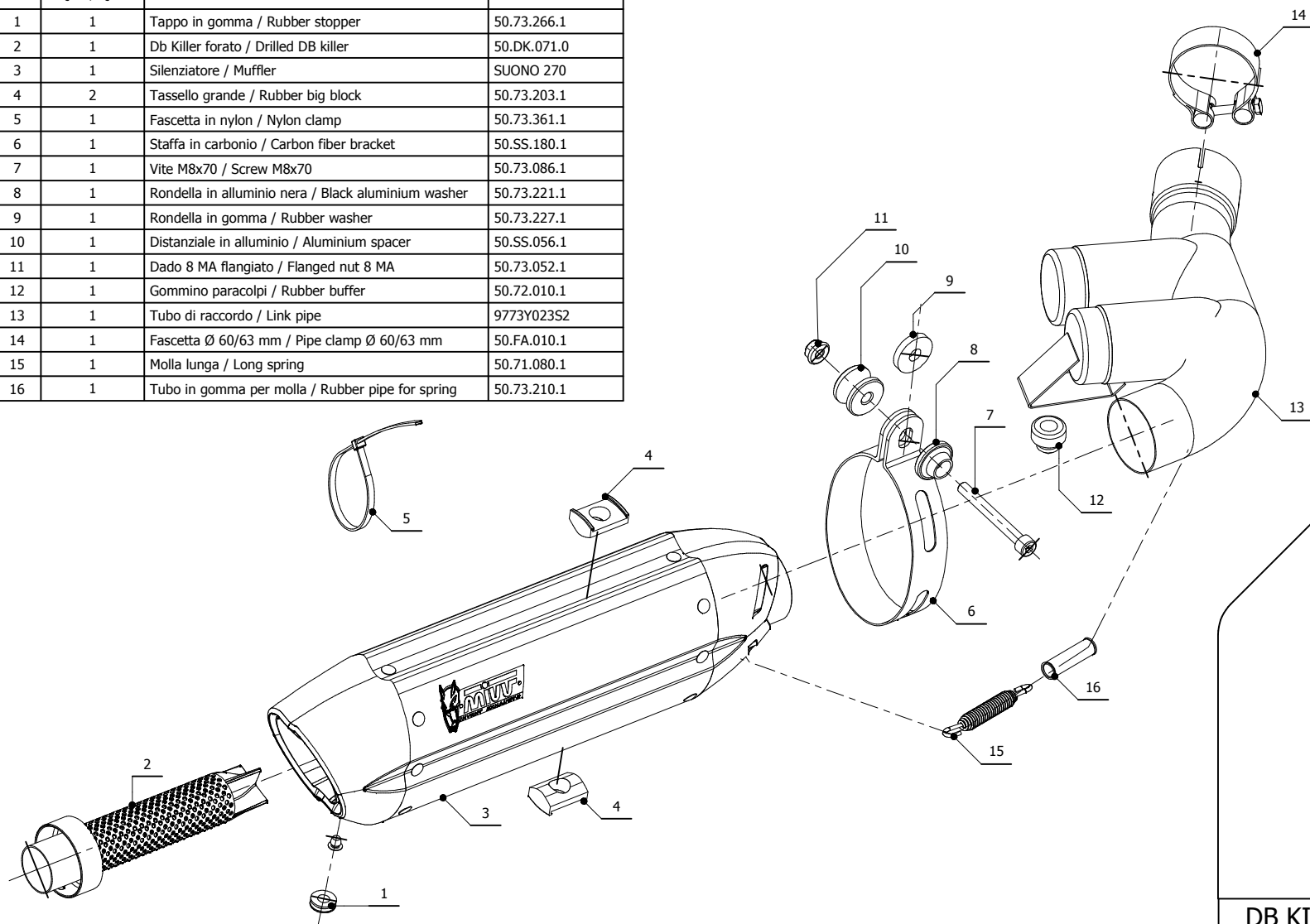
**LINE** SPORT

**MUFFLER** SUONO

**SCHEMATIC**

**ELENCO PARTI / PARTS LIST**

#	QTÀ / QTY	DESCRIZIONE / DESCRIPTION	CODICE / CODE
1	1	Tappo in gomma / Rubber stopper	50.73.266.1
2	1	Db Killer forato / Drilled DB killer	50.DK.071.0
3	1	Silenziatore / Muffler	SUONO 270
4	2	Tassello grande / Rubber big block	50.73.203.1
5	1	Fascetta in nylon / Nylon clamp	50.73.361.1
6	1	Staffa in carbonio / Carbon fiber bracket	50.SS.180.1
7	1	Vite M8x70 / Screw M8x70	50.73.086.1
8	1	Rondella in alluminio nera / Black aluminium washer	50.73.221.1
9	1	Rondella in gomma / Rubber washer	50.73.227.1
10	1	Distanziale in alluminio / Aluminium spacer	50.SS.056.1
11	1	Dado 8 MA flangiato / Flanged nut 8 MA	50.73.052.1
12	1	Gommino paracolpi / Rubber buffer	50.72.010.1
13	1	Tubo di raccordo / Link pipe	9773Y023S2
14	1	Fascetta Ø 60/63 mm / Pipe clamp Ø 60/63 mm	50.FA.010.1
15	1	Molla lunga / Long spring	50.71.080.1
16	1	Tubo in gomma per molla / Rubber pipe for spring	50.73.210.1



**DB KILLER VERS. L8 / L8 VERS. DB KILLER**

#	QTÀ / QTY	DESCRIZIONE / DESCRIPTION	CODICE / CODE
1	1	Db Killer forato / Drilled DB killer	50.DK.038.0
2	1	Vite M5 x 8 / Screw M5 x 8	50.73.233.1
3	1	Tappo in gomma / Rubber stopper	50.73.266.1

**APPLICAZIONI / APPLICATIONS**

CODICE / CODE	TUBO / PIPE	SILENZIATORE / MUFFLER	FASCETTA / CLAMP	CODICE OMOL. / HOMOL. CODE
Y.023.L7	INOX / ST. STEEL	INOX (COPPE CARBONIO) / ST. STEEL (CARBON CAPS)	CARBONIO / CARBON FIBER	ME047 e9 1356
Y.023.L8	TITANIUM	TITANIO (COPPE CARBONIO) / TITANIUM (CARBON CAPS)	CARBONIO / CARBON FIBER	ME047 e9 1356