



MODEL YAMAHA T-MAX 500

YEAR 2001-2007

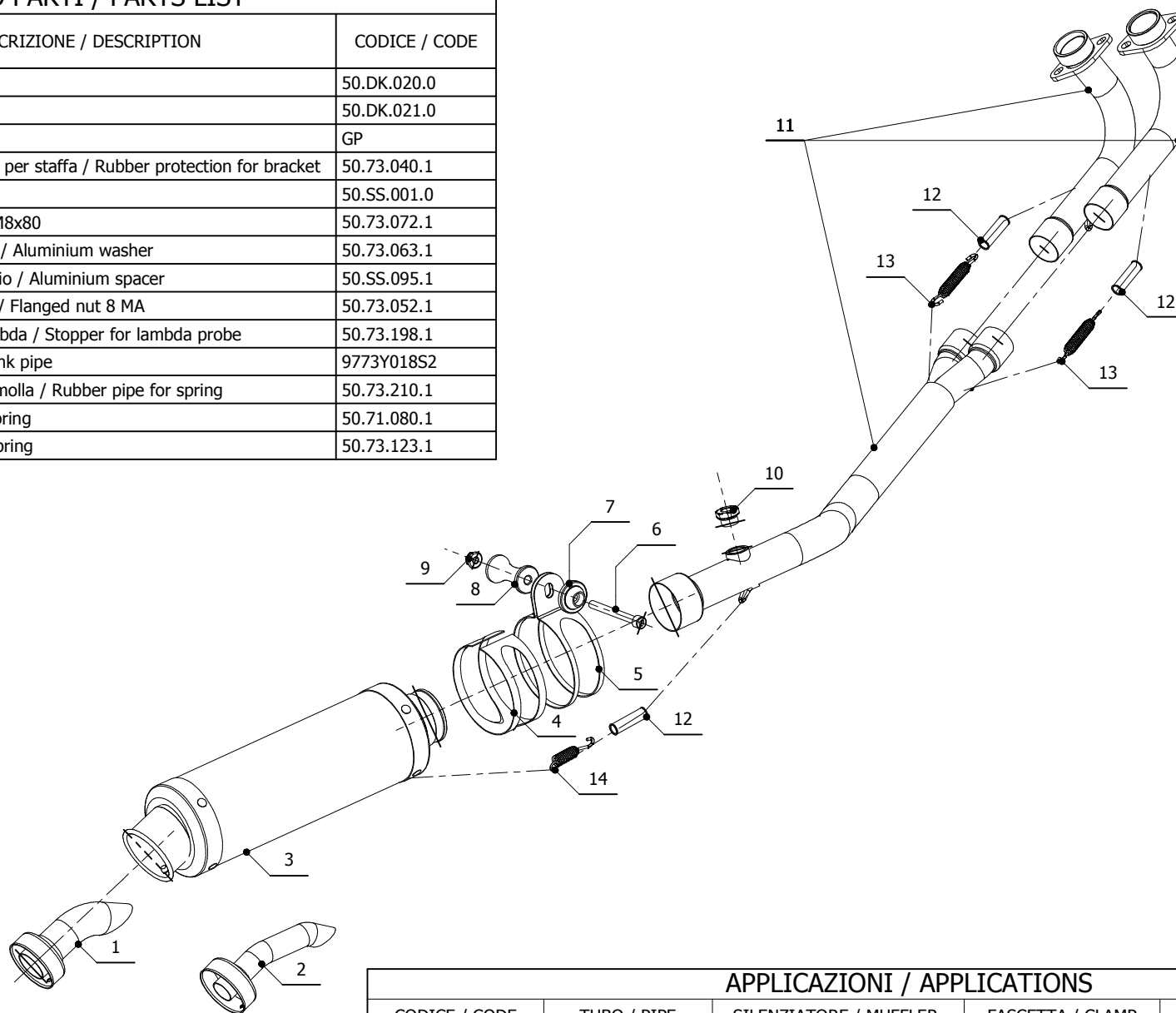
LINE SPORT

MUFFLER GP

SCHEMATIC

ELENCO PARTI / PARTS LIST

#	QTÀ / QTY	DESCRIZIONE / DESCRIPTION	CODICE / CODE
1	1	DB killer / DB killer	50.DK.020.0
2	1	DB killer / DB killer	50.DK.021.0
3	1	Silenziatore / Muffler	GP
4	1	Protezione in gomma per staffa / Rubber protection for bracket	50.73.040.1
5	1	Staffa / Bracket	50.SS.001.0
6	1	Vite M8x80 / Screw M8x80	50.73.072.1
7	1	Rondella in alluminio / Aluminium washer	50.73.063.1
8	1	Distanziale in alluminio / Aluminium spacer	50.SS.095.1
9	1	Dado 8 MA flangiato / Flanged nut 8 MA	50.73.052.1
10	1	Tappo per sonda lambda / Stopper for lambda probe	50.73.198.1
11	1	Tubo di raccordo / Link pipe	9773Y018S2
12	3	Tubo in gomma per molla / Rubber pipe for spring	50.73.210.1
13	2	Molla lunga / Long spring	50.71.080.1
14	1	Molla corta / Short Spring	50.73.123.1



APPLICAZIONI / APPLICATIONS

CODICE / CODE	TUBO / PIPE	SILENZIATORE / MUFFLER	FASCETTA / CLAMP	CODICE OMOL. / HOMOL. CODE
Y.018.L2S	INOX / ST. STEEL	CARBONIO / CARBON FIBER	INOX / ST. STEEL	ME041 e9 1309
Y.018.L6S	INOX / ST. STEEL	TITANIO / TITANIUM	INOX / ST. STEEL	ME041 e9 1309