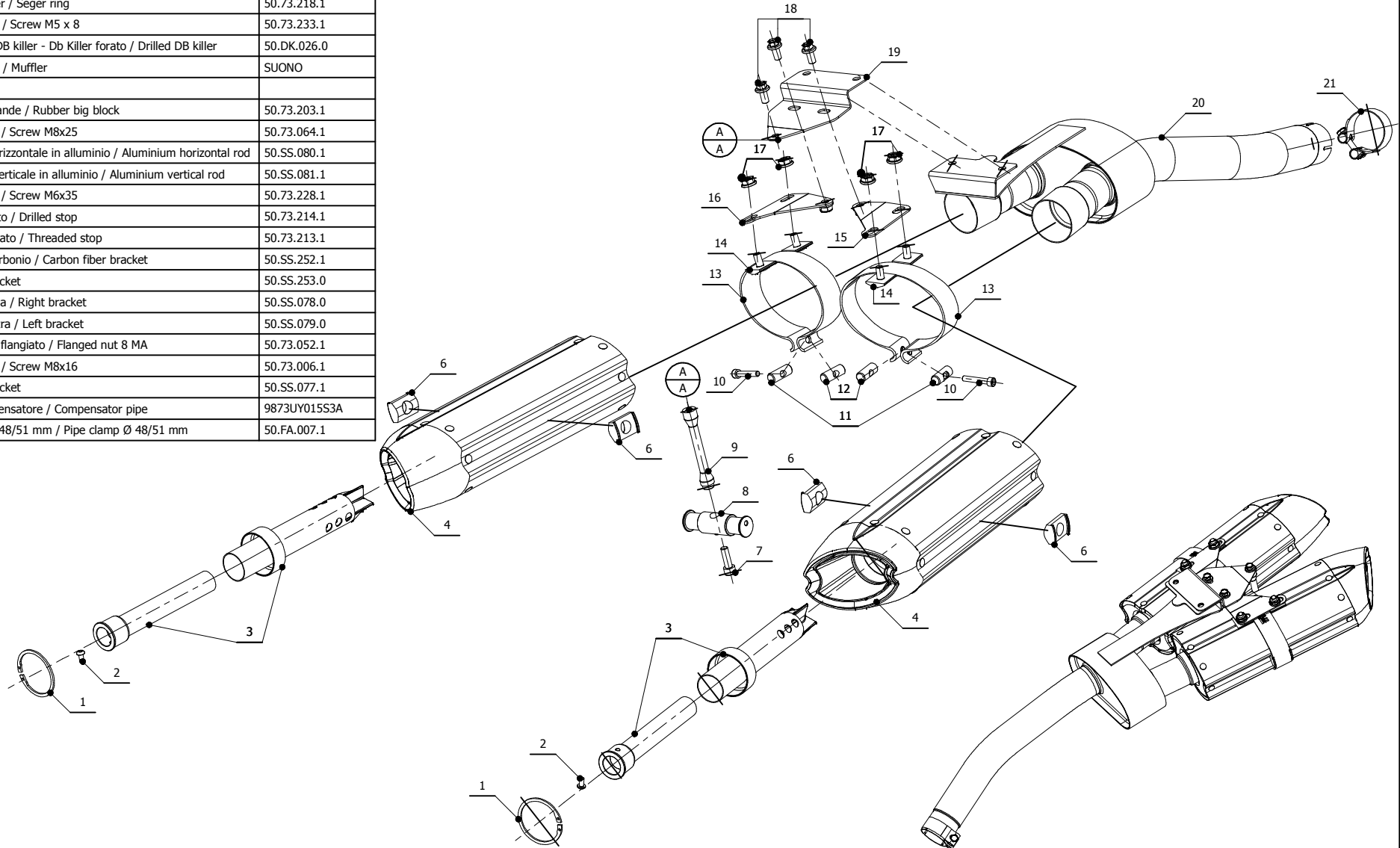


ELENCO PARTI / PARTS LIST

#	QTÀ / QTY	DESCRIZIONE / DESCRIPTION	CODICE / CODE
1	2	Anello Seger / Seger ring	50.73.218.1
2	2	Vite M5 x 8 / Screw M5 x 8	50.73.233.1
3	2	DB killer / DB killer - Db Killer forato / Drilled DB killer	50.DK.026.0
4	2	Silenziatore / Muffler	SUONO
5			
6	4	Tassello grande / Rubber big block	50.73.203.1
7	1	Vite M8x25 / Screw M8x25	50.73.064.1
8	1	Montante orizzontale in alluminio / Aluminium horizontal rod	50.SS.080.1
9	1	Montante verticale in alluminio / Aluminium vertical rod	50.SS.081.1
10	2	Vite M6x35 / Screw M6x35	50.73.228.1
11	2	Fermo forato / Drilled stop	50.73.214.1
12	2	Fermo filettato / Threaded stop	50.73.213.1
13	2	Staffa in carbonio / Carbon fiber bracket	50.SS.252.1
14	2	Staffa / Bracket	50.SS.253.0
15	1	Staffa destra / Right bracket	50.SS.078.0
16	1	Staffa sinistra / Left bracket	50.SS.079.0
17	4	Dado 8 MA flangiato / Flanged nut 8 MA	50.73.052.1
18	3	Vite M8x16 / Screw M8x16	50.73.006.1
19	1	Staffa / Bracket	50.SS.077.1
20	1	Tubo compensatore / Compensator pipe	9873UY015S3A
21	1	Fascetta Ø 48/51 mm / Pipe clamp Ø 48/51 mm	50.FA.007.1


APPLICAZIONI / APPLICATIONS

CODICE / CODE	TUBO / PIPE	SILENZIATORE / MUFFLER	FASCETTA / CLAMP	CODICE OMOL. / HOMOL. CODE
UY.015.L7	INOX / ST. STEEL	CARBONIO E TITANIO / CARBON FIBER AND TITANIUM	CARBONIO / CARBON FIBER	ME030 e9 1285
UY.015.L9	INOX / ST. STEEL	CARBONIO (COPPE CARBONIO) / CARBON (CARBON CAPS)	CARBONIO / CARBON FIBER	ME030 e9 1285