



MODEL HONDA CBR 600 RR

YEAR 2007-->

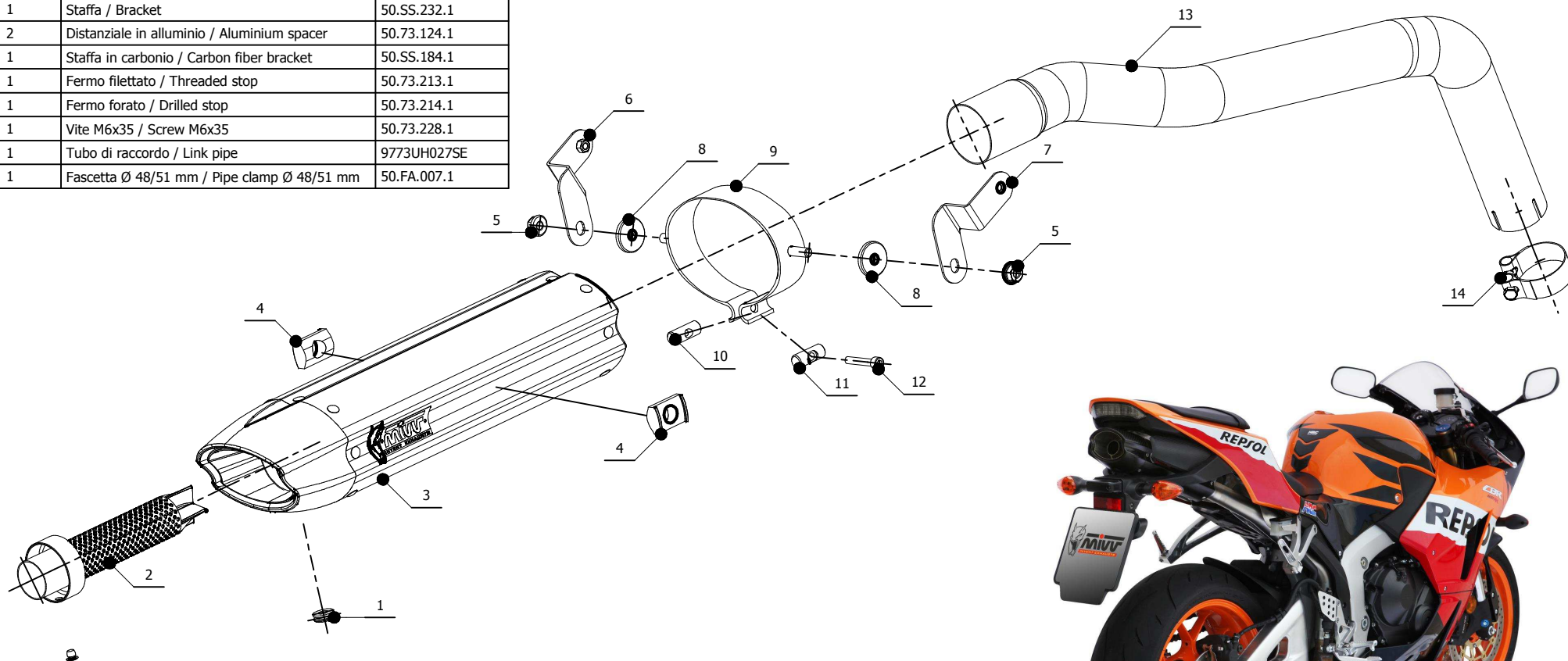
LINE SPORT

MUFFLER SUONO

SCHEMATIC

ELENCO PARTI / PARTS LIST

| # | QTÀ / QTY | DESCRIZIONE / DESCRIPTION | CODICE / CODE |
|----|-----------|---|---------------|
| 1 | 1 | Tappo in gomma / Rubber stopper | 50.73.266.1 |
| 2 | 1 | Db Killer forato / Drilled DB killer | 50.DK.071.0 |
| 3 | 1 | Silenziatore / Muffler | SUONO 320 |
| 4 | 2 | Tassello grande / Rubber big block | 50.73.203.1 |
| 5 | 2 | Dado 8 MA flangiato / Flanged nut 8 MA | 50.73.393.1 |
| 6 | 1 | Staffa / Bracket | 50.SS.231.1 |
| 7 | 1 | Staffa / Bracket | 50.SS.232.1 |
| 8 | 2 | Distanziale in alluminio / Aluminium spacer | 50.73.124.1 |
| 9 | 1 | Staffa in carbonio / Carbon fiber bracket | 50.SS.184.1 |
| 10 | 1 | Fermo filettato / Threaded stop | 50.73.213.1 |
| 11 | 1 | Fermo forato / Drilled stop | 50.73.214.1 |
| 12 | 1 | Vite M6x35 / Screw M6x35 | 50.73.228.1 |
| 13 | 1 | Tubo di raccordo / Link pipe | 9773UH027SE |
| 14 | 1 | Fascetta Ø 48/51 mm / Pipe clamp Ø 48/51 mm | 50.FA.007.1 |



APPLICAZIONI / APPLICATIONS

| CODICE / CODE | TUBO / PIPE | SILENZIATORE / MUFFLER | FASCETTA / CLAMP | CODICE OMOL. / HOMOL.CODE |
|---------------|------------------|---|-------------------------|---------------------------|
| UH.037.L7 | INOX / ST. STEEL | INOX (COPPE CARBONIO) / ST. STEEL (CARBON CAPS) | CARBONIO / CARBON FIBER | ME021 e9 1213 |
| UH.037.L9 | INOX / ST. STEEL | STEEL BLACK | CARBONIO / CARBON FIBER | ME021 e9 1213 |

