



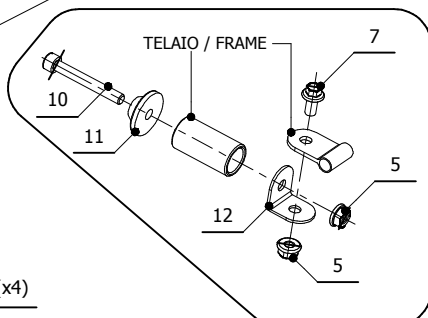
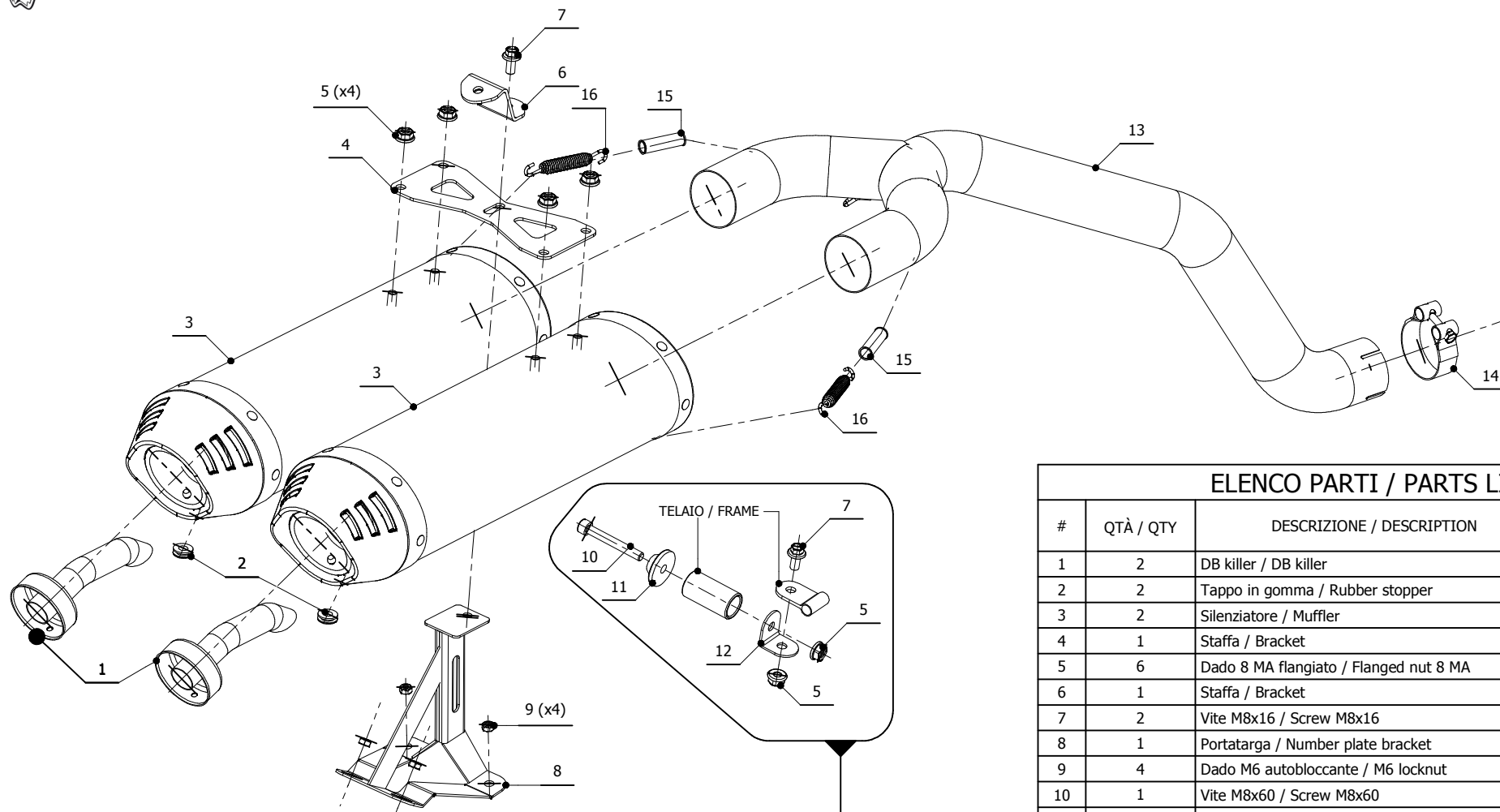
MODEL DUCATI MULTISTRADA 1000
DUCATI MULTISTRADA 1100

YEAR 2004-->
2006-->

SCHEMATIC

LINE SPORT

MUFFLER OVAL CARBON CAP



Sostegno tubo cavi
Cables pipe support

ELENCO PARTI / PARTS LIST

#	QTÀ / QTY	DESCRIZIONE / DESCRIPTION	CODICE / CODE
1	2	DB killer / DB killer	50.DK.021.0
2	2	Tappo in gomma / Rubber stopper	50.73.266.1
3	2	Silenziatore / Muffler	OVAL CARBON CAP
4	1	Staffa / Bracket	50.SS.092.1
5	6	Dado 8 MA flangiato / Flanged nut 8 MA	50.73.052.1
6	1	Staffa / Bracket	50.SS.093.1
7	2	Vite M8x16 / Screw M8x16	50.73.006.1
8	1	Portatarga / Number plate bracket	50.73.147.0
9	4	Dado M6 autobloccante / M6 locknut	50.73.112.1
10	1	Vite M8x60 / Screw M8x60	50.73.078.1
11	1	Rondella in alluminio / Aluminium washer	50.73.063.1
12	1	Staffa / Bracket	50.SS.134.0
13	1	Tubo di raccordo / Link pipe	9773UD010SE
14	1	Fascetta Ø 56/59 mm / Pipe clamp Ø 56/59 mm	50.FA.009.1
15	2	Tubo in gomma per molla / Rubber pipe for spring	50.73.210.1
16	2	Molla lunga / Long spring	50.71.080.1

APPLICAZIONI / APPLICATIONS

CODICE / CODE	TUBO / PIPE	SILENZIATORE / MUFFLER	FASCETTA / CLAMP	CODICE OMOL. / HOMOL.CODE
UD.010.LEC	INOX / ST.STEEL	CARBONIO (COPPA CARBONIO) / CARBON (CARBON CAP)	INOX / ST.STEEL	ME038 e9 1306
UD.010.LNC	INOX / ST.STEEL	TITANIO (COPPA CARBONIO) / TITANIUM (CARBON CAP)	INOX / ST.STEEL	ME038 e9 1306

