



MODEL TRIUMPH TIGER 1200 EXPLORER

YEAR 2012-->

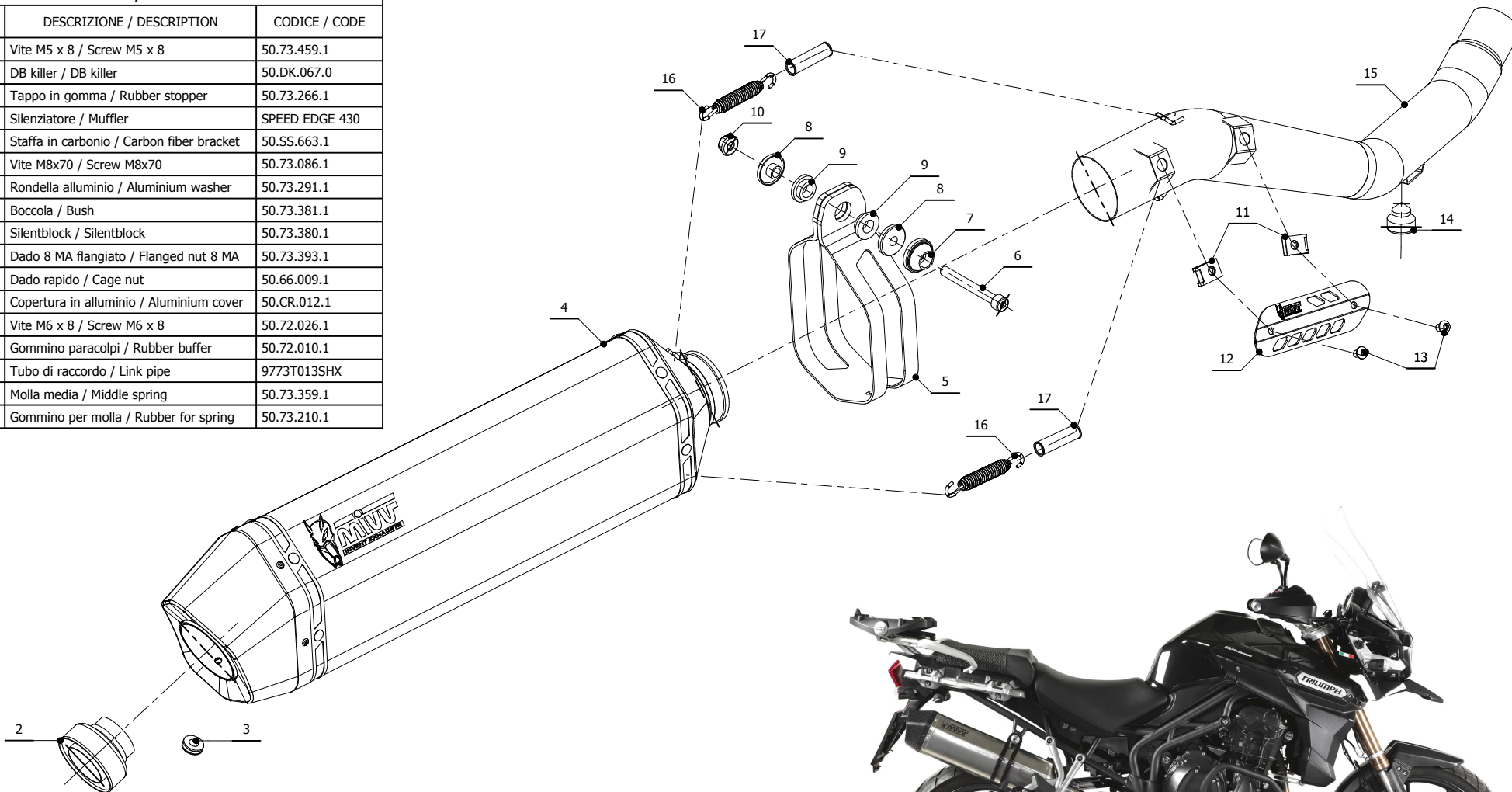
LINE SPORT

MUFFLER SPEED EDGE

SCHEMATIC

ELENCO PARTI / PARTS LIST

#	QTÀ / QTY	DESCRIZIONE / DESCRIPTION	CODICE / CODE
1	1	Vite M5 x 8 / Screw M5 x 8	50.73.459.1
2	1	DB killer / DB killer	50.DK.067.0
3	1	Tappo in gomma / Rubber stopper	50.73.266.1
4	1	Silenziatore / Muffler	SPEED EDGE 430
5	1	Staffa in carbonio / Carbon fiber bracket	50.SS.663.1
6	1	Vite M8x70 / Screw M8x70	50.73.086.1
7	1	Rondella alluminio / Aluminium washer	50.73.291.1
8	2	Boccola / Bush	50.73.381.1
9	2	Silentblock / Silentblock	50.73.380.1
10	1	Dado 8 MA flangiato / Flanged nut 8 MA	50.73.393.1
11	2	Dado rapido / Cage nut	50.66.009.1
12	1	Copertura in alluminio / Aluminium cover	50.CR.012.1
13	2	Vite M6 x 8 / Screw M6 x 8	50.72.026.1
14	1	Gommino paracolpi / Rubber buffer	50.72.010.1
15	1	Tubo di raccordo / Link pipe	9773T013SHX
16	2	Molla media / Middle spring	50.73.359.1
17	2	Gommino per molla / Rubber for spring	50.73.210.1



APPLICAZIONI / APPLICATIONS

CODICE / CODE	TUBO / PIPE	SILENZIATORE / MUFFLER	FASCETTA / CLAMP	CODICE OMOL. / HOMOL. CODE
T.013.LHX	INOX / ST. STEEL	INOX (COPPE CARBONIO) / ST. STEEL (CARBON CAPS)	CARBONIO / CARBON FIBER	ME002 e9 1177