



MODEL TRIUMPH TIGER

YEAR 2007-->

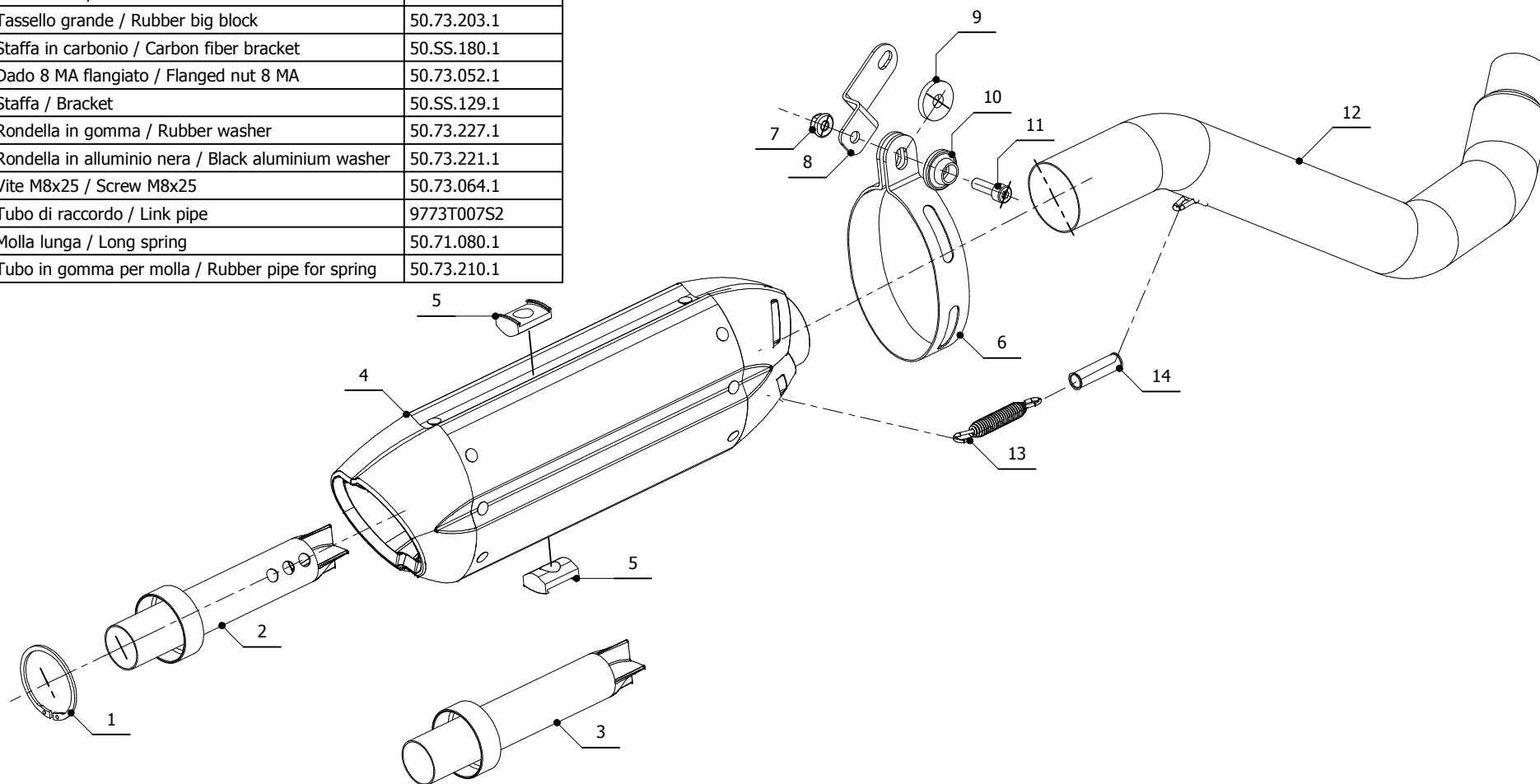
LINE SPORT

MUFFLER SUONO

SCHEMATIC

ELENCO PARTI / PARTS LIST

#	QTÀ / QTY	DESCRIZIONE / DESCRIPTION	CODICE / CODE
1	1	Anello Seger / Seger ring	50.73.218.1
2	1	DB killer / DB killer	50.DK.024.0
3	1	Db Killer forato / Drilled DB killer	50.DK.025.0
4	1	Silenziatore / Muffler	SUONO
5	2	Tassello grande / Rubber big block	50.73.203.1
6	1	Staffa in carbonio / Carbon fiber bracket	50.SS.180.1
7	1	Dado 8 MA flangiato / Flanged nut 8 MA	50.73.052.1
8	1	Staffa / Bracket	50.SS.129.1
9	1	Rondella in gomma / Rubber washer	50.73.227.1
10	1	Rondella in alluminio nera / Black aluminium washer	50.73.221.1
11	1	Vite M8x25 / Screw M8x25	50.73.064.1
12	1	Tubo di raccordo / Link pipe	9773T007S2
13	1	Molla lunga / Long spring	50.71.080.1
14	1	Tubo in gomma per molla / Rubber pipe for spring	50.73.210.1



APPLICAZIONI / APPLICATIONS

CODICE / CODE	TUBO / PIPE	SILENZIATORE / MUFFLER	FASCETTA / CLAMP	CODICE OMOL. / HOMOL. CODE
T.007.L7	INOX / ST. STEEL	INOX (COPPE CARBONIO) / ST. STEEL (CARBON CAPS)	CARBONIO / CARBON FIBER	ME002 e9 1177