



**MODEL** SUZUKI DL 1000 V-STROM

**YEAR** 2014

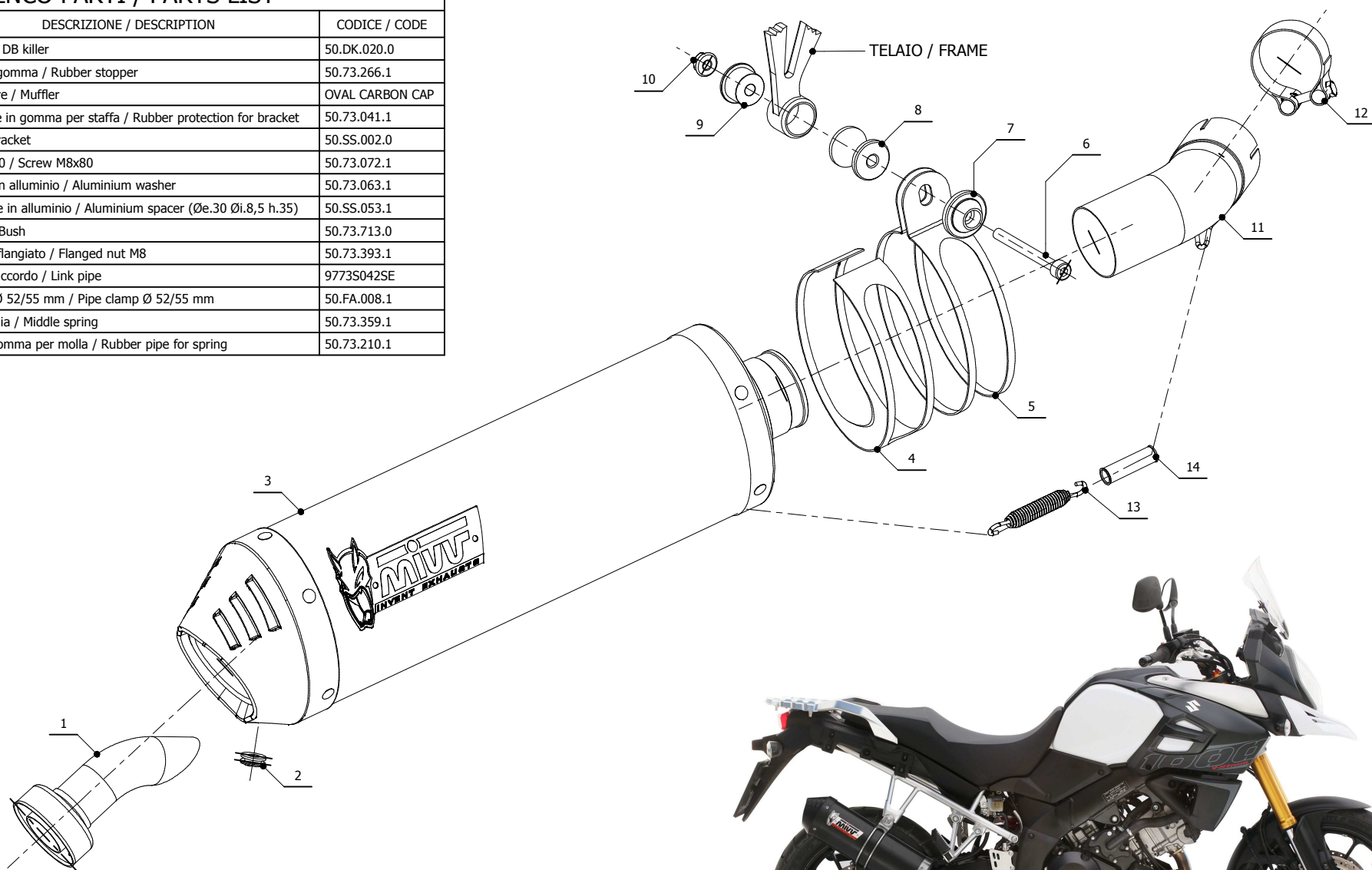
**LINE** SPORT

**MUFFLER** OVAL CARBON CAP

**SCHEMATIC**

**ELENCO PARTI / PARTS LIST**

#	QTÀ / QTY	DESCRIZIONE / DESCRIPTION	CODICE / CODE
1	1	DB killer / DB killer	50.DK.020.0
2	1	Tappo in gomma / Rubber stopper	50.73.266.1
3	1	Silenziatore / Muffler	OVAL CARBON CAP
4	1	Protezione in gomma per staffa / Rubber protection for bracket	50.73.041.1
5	1	Staffa / Bracket	50.SS.002.0
6	1	Vite M8x80 / Screw M8x80	50.73.072.1
7	1	Rondella in alluminio / Aluminium washer	50.73.063.1
8	1	Distanziale in alluminio / Aluminium spacer (Øe.30 Øi.8,5 h.35)	50.SS.053.1
9	1	Bussola / Bush	50.73.713.0
10	1	Dado M8 flangiato / Flanged nut M8	50.73.393.1
11	1	Tubo di raccordo / Link pipe	9773S042SE
12	1	Fascetta Ø 52/55 mm / Pipe clamp Ø 52/55 mm	50.FA.008.1
13	1	Molla media / Middle spring	50.73.359.1
14	1	Tubo in gomma per molla / Rubber pipe for spring	50.73.210.1



**APPLICAZIONI / APPLICATIONS**

CODICE / CODE	TUBO / PIPE	SILENZIATORE / MUFFLER	FASCETTA / CLAMP	CODICE OMOL. / HOMOL.CODE
S.042.LEC	INOX / ST.STEEL	CARBONIO (COPPA CARBONIO) / CARBON (CARBON CAP)	INOX / ST.STEEL	ME033 e9 1288
S.042.LNC	INOX / ST.STEEL	TITANIO (COPPA CARBONIO) / TITANIUM (CARBON CAP)	INOX / ST.STEEL	ME033 e9 1288
S.042.LX2	INOX / ST.STEEL	INOX / ST.STEEL	INOX / ST.STEEL	ME033 e9 1288

