



MODEL SUZUKI GSR 750

YEAR 2011-->

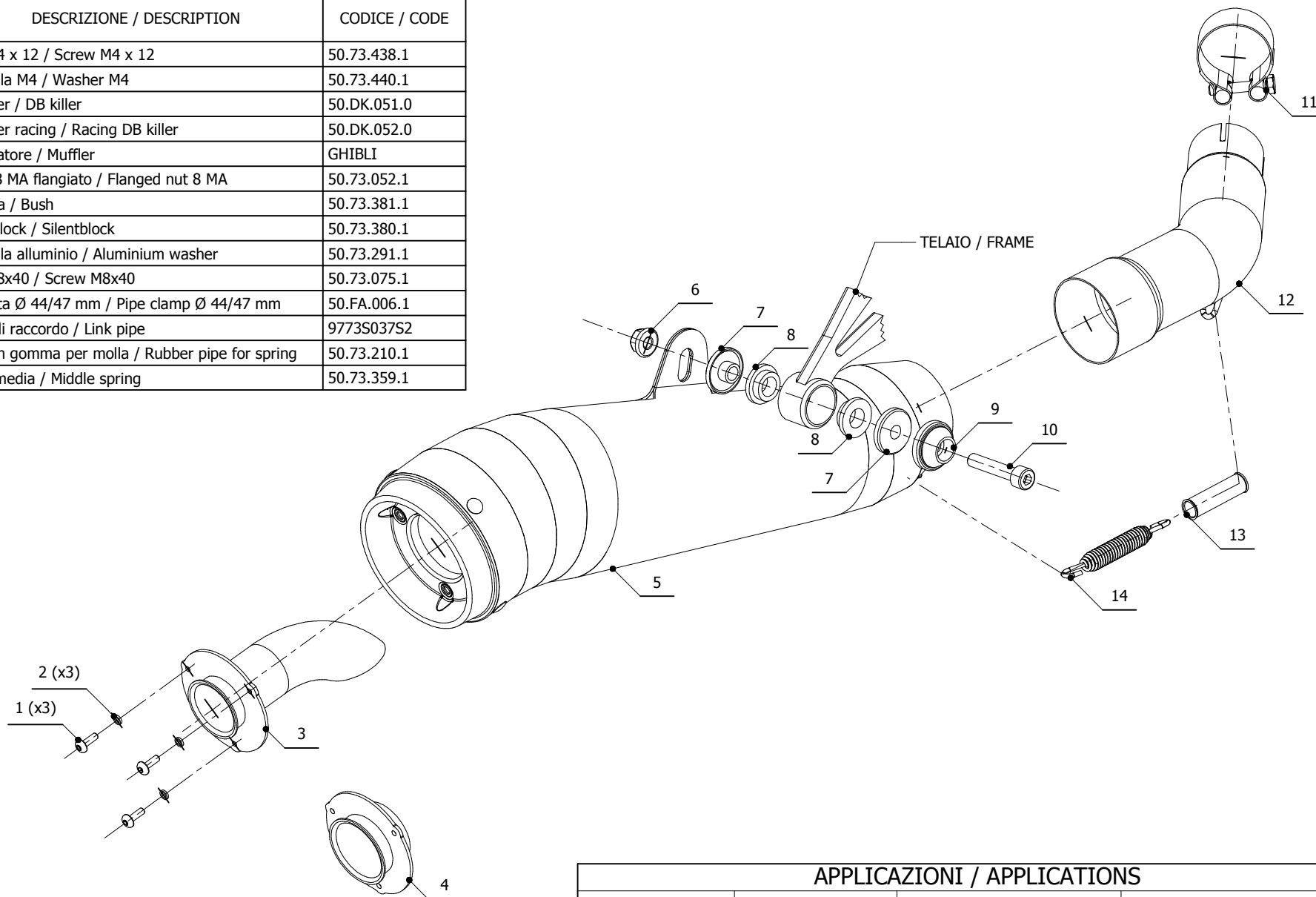
LINE SPORT

MUFFLER GHIBLI

SCHEMATIC

ELENCO PARTI / PARTS LIST

#	QTÀ / QTY	DESCRIZIONE / DESCRIPTION	CODICE / CODE
1	3	Vite M4 x 12 / Screw M4 x 12	50.73.438.1
2	3	Rondella M4 / Washer M4	50.73.440.1
3	1	DB killer / DB killer	50.DK.051.0
4	1	DB killer racing / Racing DB killer	50.DK.052.0
5	1	Silenziatore / Muffler	GHIBLI
6	1	Dado 8 MA flangiato / Flanged nut 8 MA	50.73.052.1
7	2	Boccola / Bush	50.73.381.1
8	2	Silentblock / Silentblock	50.73.380.1
9	1	Rondella alluminio / Aluminium washer	50.73.291.1
10	1	Vite M8x40 / Screw M8x40	50.73.075.1
11	1	Fascetta Ø 44/47 mm / Pipe clamp Ø 44/47 mm	50.FA.006.1
12	1	Tubo di raccordo / Link pipe	9773S037S2
13	1	Tubo in gomma per molla / Rubber pipe for spring	50.73.210.1
14	1	Molla media / Middle spring	50.73.359.1



APPLICAZIONI / APPLICATIONS

CODICE / CODE	TUBO / PIPE	SILENZIATORE / MUFFLER	CODICE OMOL. / HOMOL. CODE
S.037.LGX	INOX / ST. STEEL	INOX / ST. STEEL	ME008 e9 1176