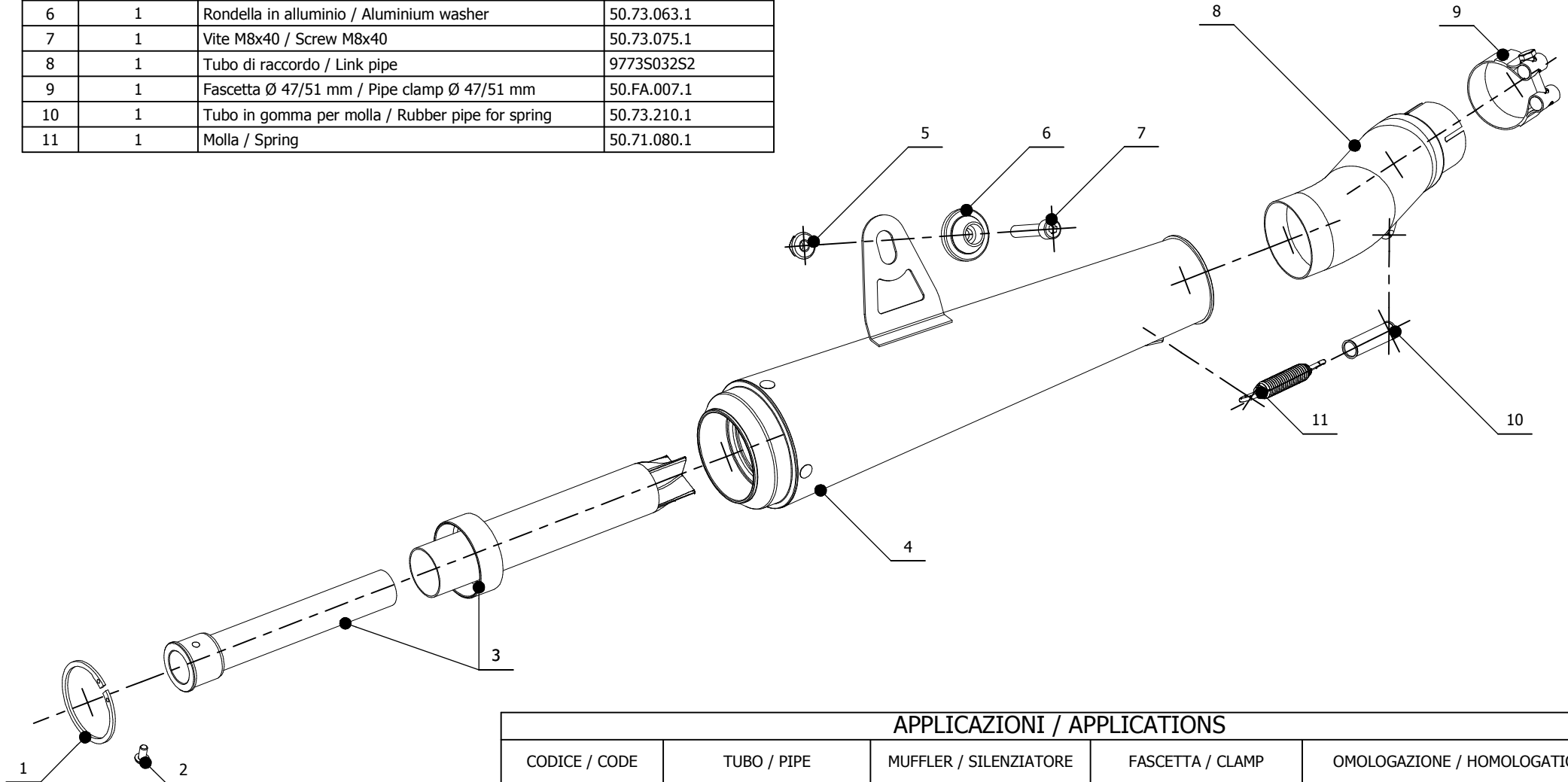


**ELENCO PARTI / PARTS LIST**

#	QTÀ / QTY	DESCRIZIONE / DESCRIPTION	CODICE / CODE
1	1	Anello Seger / Seger Ring	50.73.218.1
2	1	Vite M5 x 8 / Screw M5 x 8	50.73.233.1
3	1	DB killer / DB killer	50.DK.032.0
4	1	Silenziatore / Muffler	X-cone Plus
5	1	Dado 8 MA flangiato / Flanged nut 8 MA	50.73.052.1
6	1	Rondella in alluminio / Aluminium washer	50.73.063.1
7	1	Vite M8x40 / Screw M8x40	50.73.075.1
8	1	Tubo di raccordo / Link pipe	9773S032S2
9	1	Fascetta Ø 47/51 mm / Pipe clamp Ø 47/51 mm	50.FA.007.1
10	1	Tubo in gomma per molla / Rubber pipe for spring	50.73.210.1
11	1	Molla / Spring	50.71.080.1


**APPLICAZIONI / APPLICATIONS**

CODICE / CODE	TUBO / PIPE	MUFFLER / SILENZIATORE	FASCETTA / CLAMP	OMOLOGAZIONE / HOMOLOGATION
S.032.LP2	INOX / STAINLESS STEEL	INOX / STAINLESS STEEL	INOX / STAINLESS STEEL	OMOLOGATO / HOMOLOGATED