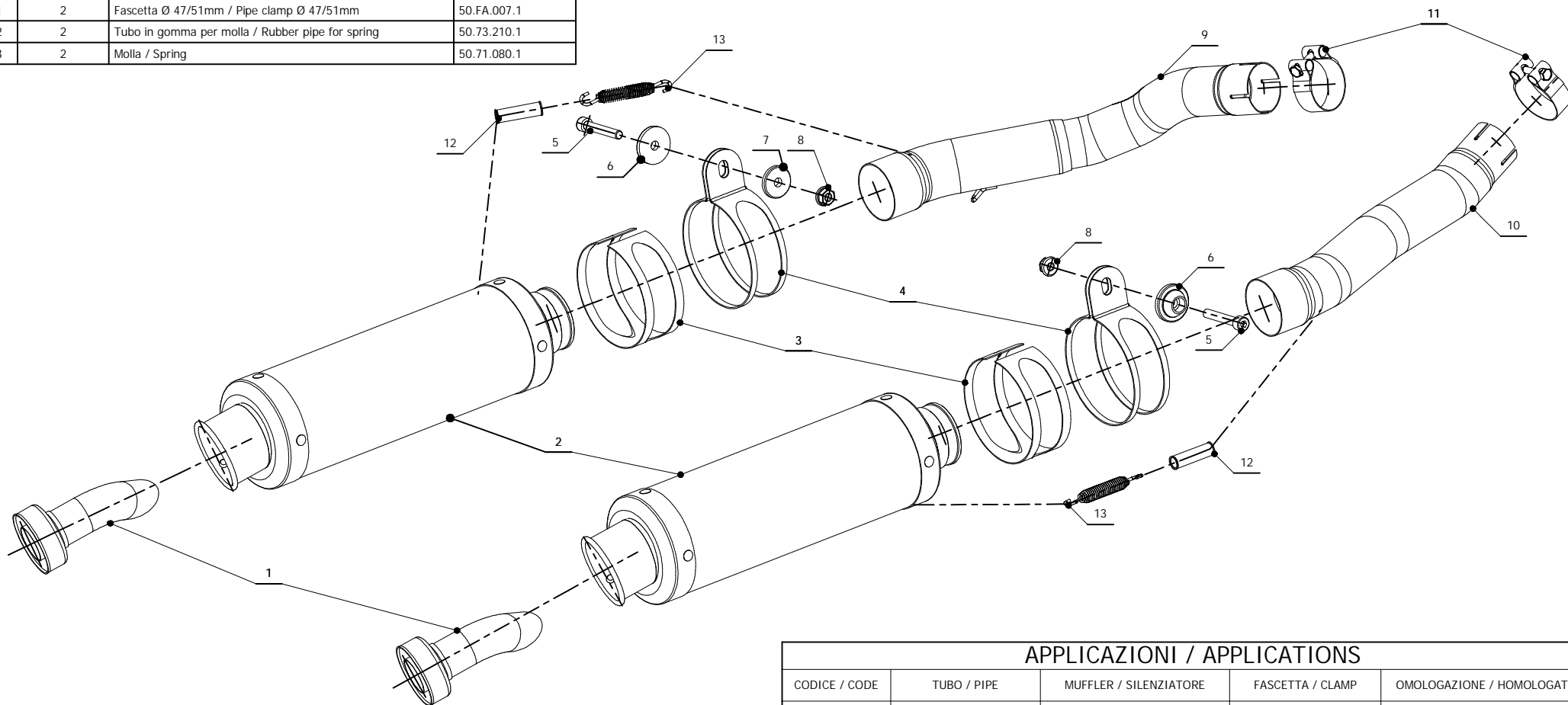


ELENCO PARTI / PARTS LIST

#	QTA / QTY	DESCRIZIONE / DESCRIPTION	CODICE / CODE
1	2	DB killer / DB killer	50.DK.020.0
2	2	Silenziatore / Muffler	GP
3	2	Protezione in gomma per staffa / Rubber protection for bracket	50.73.040.1
4	2	Staffa / Bracket	50.SS.001.0
5	2	Vite M8x50 / Screw M8x50	50.73.074.1
6	2	Rondella in alluminio / Aluminium washer	50.73.063.1
7	1	Distanziale in alluminio / Aluminium spacer	50.73.124.1
8	2	Dado 8 MA flangiato / Flanged nut 8 MA	50.73.052.1
9	1	Tubo di raccordo / Link pipe	9773S028S2SX
10	1	Tubo di raccordo / Link pipe	9773S028S2DX
11	2	Fascetta Ø 47/51mm / Pipe clamp Ø 47/51mm	50.FA.007.1
12	2	Tubo in gomma per molla / Rubber pipe for spring	50.73.210.1
13	2	Molla / Spring	50.71.080.1


APPLICAZIONI / APPLICATIONS

CODICE / CODE	TUBO / PIPE	MUFFLER / SILENZIATORE	FASCETTA / CLAMP	OMOLOGAZIONE / HOMOLOGATION
S.028.L2S	INOX / STAINLESS STEEL	CARBONIO / CARBON FIBER	INOX / STAINLESS STEEL	OMOLOGATO / HOMOLOGATED
S.028.L6S	INOX / STAINLESS STEEL	TITANIO / TITANIUM	INOX / STAINLESS STEEL	OMOLOGATO / HOMOLOGATED