



MODEL KTM SX-F 350

YEAR 2011-2012

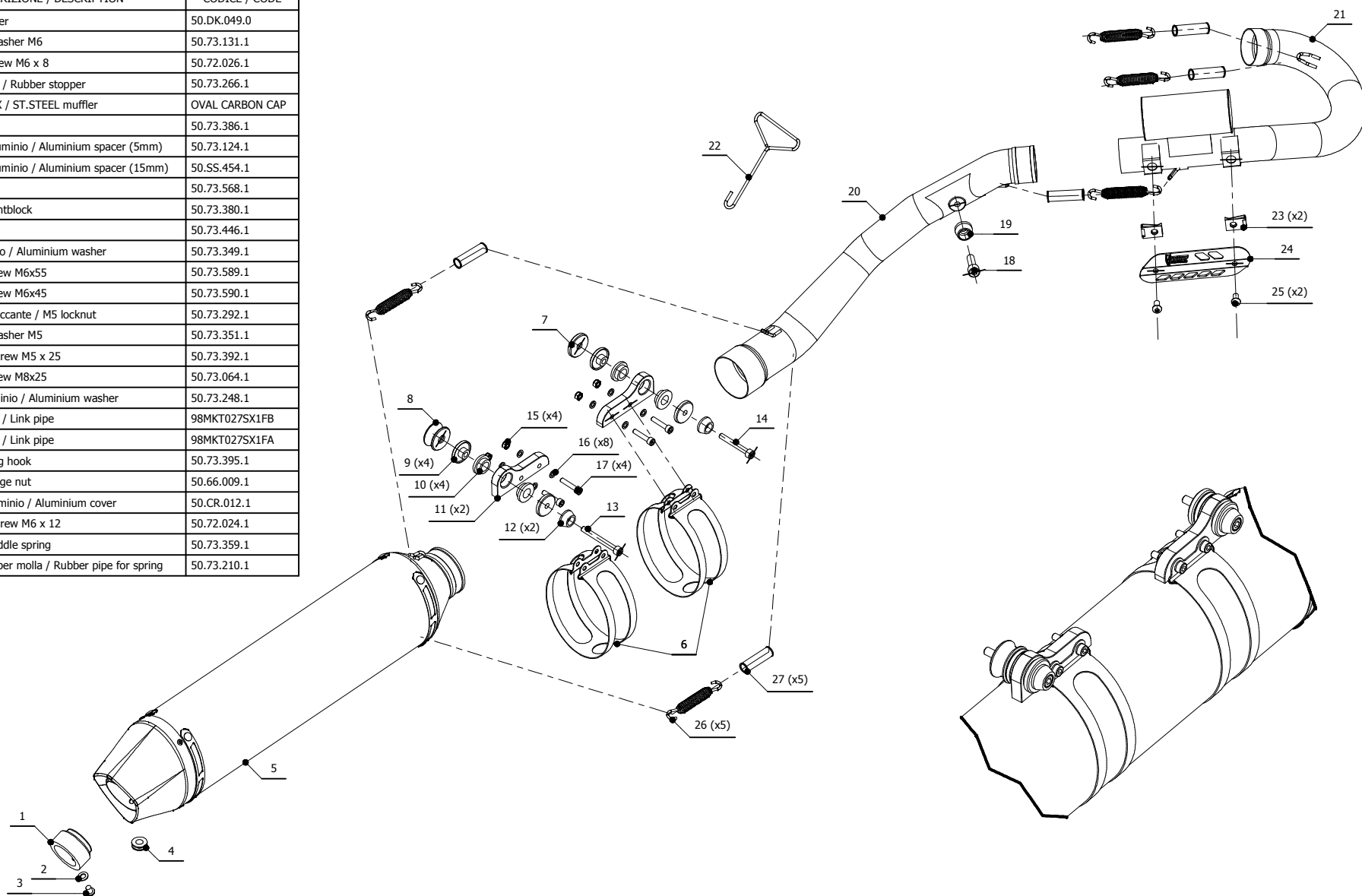
LINE STRONGER *Cross*

MUFFLER OVAL STEEL CARBON CAP

SCHEMATIC

ELENCO PARTI / PARTS LIST

#	QTÀ / QTY	DESCRIZIONE / DESCRIPTION	CODICE / CODE
1	1	DB killer / DB killer	50.DK.049.0
2	1	Rondella M6 / Washer M6	50.73.131.1
3	1	Vite M6 x 8 / Screw M6 x 8	50.72.026.1
4	1	Tappo in gomma / Rubber stopper	50.73.266.1
5	1	Silenziatore INOX / ST.STEEL muffler	OVAL CARBON CAP
6	2	Staffa / Bracket	50.73.386.1
7	1	Distanziale in alluminio / Aluminium spacer (5mm)	50.73.124.1
8	1	Distanziale in alluminio / Aluminium spacer (15mm)	50.SS.454.1
9	4	Boccola / Bush	50.73.568.1
10	4	Silentblock / Silentblock	50.73.380.1
11	2	Staffa / bracket	50.73.446.1
12	2	Rondella alluminio / Aluminium washer	50.73.349.1
13	1	Vite M6x55 / Screw M6x55	50.73.589.1
14	1	Vite M6x45 / Screw M6x45	50.73.590.1
15	4	Dado M5 autobloccante / M5 locknut	50.73.292.1
16	8	Rondella M5 / Washer M5	50.73.351.1
17	4	Vite M5 x 25 / Screw M5 x 25	50.73.392.1
18	1	Vite M8x25 / Screw M8x25	50.73.064.1
19	1	Rondella in alluminio / Aluminium washer	50.73.248.1
20	1	Tubo di raccordo / Link pipe	98MKT027SX1FB
21	1	Tubo di raccordo / Link pipe	98MKT027SX1FA
22	1	Tiramolla / Spring hook	50.73.395.1
23	2	Dado rapido / Cage nut	50.66.009.1
24	1	Copertura in alluminio / Aluminium cover	50.CR.012.1
25	2	Vite M6 x 12 / Screw M6 x 12	50.72.024.1
26	5	Molla media / Middle spring	50.73.359.1
27	5	Tubo in gomma per molla / Rubber pipe for spring	50.73.210.1



APPLICAZIONI / APPLICATIONS

CODICE / CODE	TUBO / PIPE	SILENZIATORE / MUFFLER	FASCETTA / CLAMP	CARTER / COVER
M.KT.027.SXC.F	INOX / ST.STEEL	INOX (COPPA CARBONIO) / ST. STEEL (CARBON CAP)	INOX / ST.STEEL	ALLUMINIO / ALUMINIUM