



MODEL KTM DUKE 125 / DUKE 200

YEAR 2011 / 2012

LINE SPORT

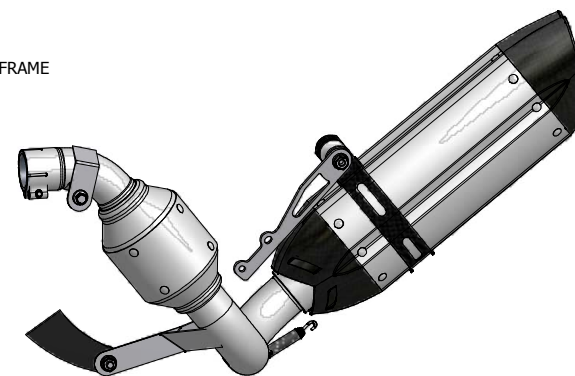
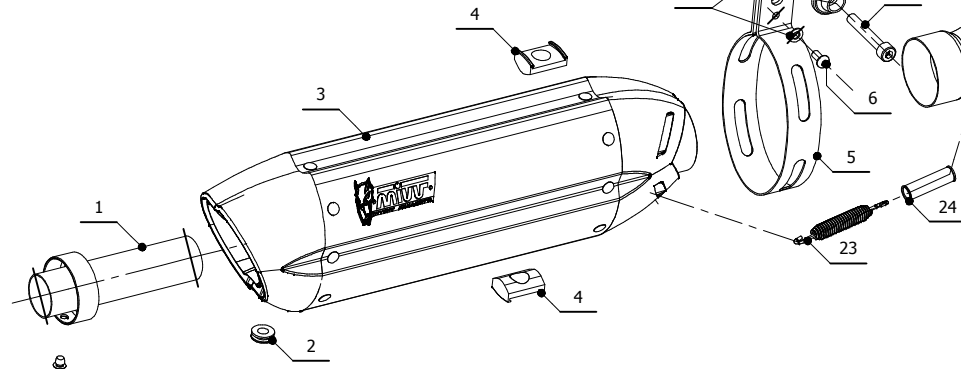
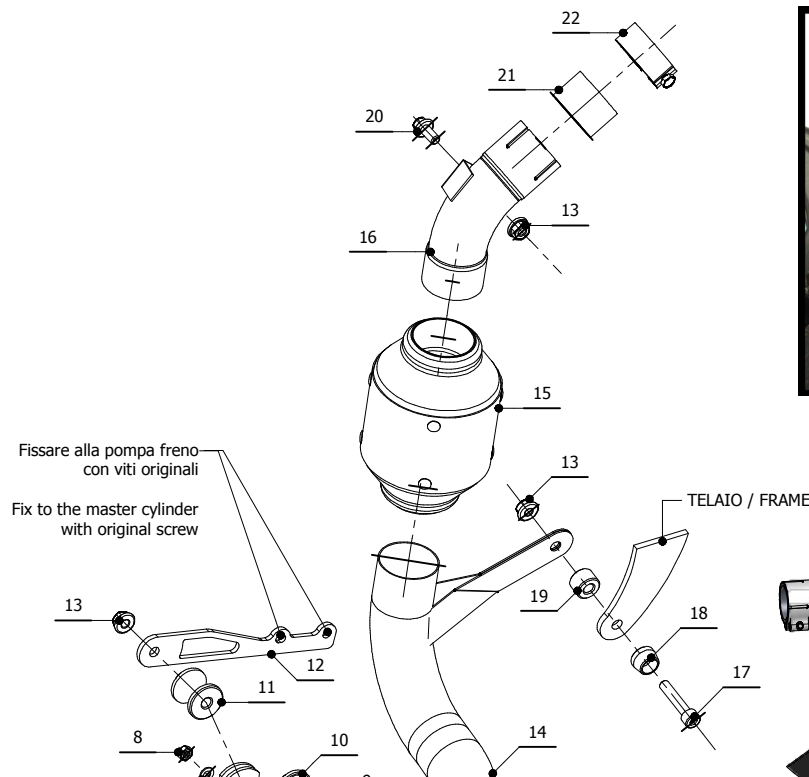
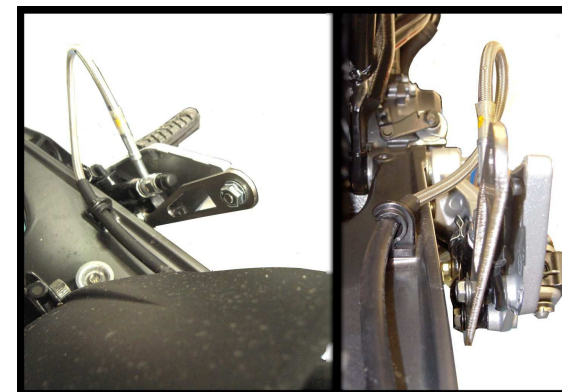
MUFFLER SUONO

SCHEMATIC

ELENCO PARTI / PARTS LIST

#	QTÀ / QTY	DESCRIZIONE / DESCRIPTION	CODICE / CODE
1	1	DB killer / DB killer	50.DK.074.0
2	1	Tappo in gomma / Rubber stopper	50.73.266.1
3	1	Silenziatore / Muffler	SUONO 270
4	2	Tassello grande / Rubber big block	50.73.203.1
5	1	Staffa in carbonio / Carbon fiber bracket	50.SS.256.1
6	1	Vite M6 x 12 / Screw M6 x 12	50.72.024.1
7	2	Rondella M6 / Washer M6	50.72.027.1
8	1	Dado M6 autobloccante / M6 locknut	50.73.112.1
9	1	Vite M8x50 / Screw M8x50	50.73.074.1
10	1	Rondella in alluminio nera / Black aluminium washer	50.73.221.1
11	1	Distanziale in alluminio / Aluminium spacer	50.SS.054.1
12	1	Staffa / Bracket	50.SS.687.0
13	3	Dado 8 MA flangiato / Flanged nut 8 MA	50.73.393.1
14	1	Tubo di raccordo / Link pipe	9773KT009S7B
15	1	Silenziatore / Muffler	9873KT009S2A
16	1	Tubo di raccordo / Link pipe	9773KT009S7A
17	1	Vite M8x40 / Screw M8x40	50.73.075.1
18	1	Rondella in alluminio / Aluminium washer	50.73.248.1
19	1	Distanziale in alluminio / Aluminium spacer	50.SS.058.1
20	1	Vite M8x16 / Screw M8x16	50.73.006.1
21	1	Guarnizione in grafite / Graphite bush	50.72.38.44.28
22	1	Fascetta Ø 44/47 mm / Pipe clamp Ø 44/47 mm	50.FA.006.1
23	1	Molla media / Middle spring	50.73.359.1
24	1	Tubo in gomma per molla / Rubber pipe for spring	50.73.210.1

FISSAGGIO STAFFA 50.SS.687.0



APPLICAZIONI / APPLICATIONS

CODICE / CODE	TUBO / PIPE	SILENZIATORE / MUFFLER	FASCETTA / CLAMP	CODICE OMOL. / HOMOL. CODE
KT.009.L7	INOX / ST. STEEL	INOX (COPPE CARBONIO) / ST. STEEL (CARBON CAPS)	CARBONIO / CARBON FIBER	ME047 e9 1356
KT.009.L9	INOX / ST. STEEL	STEEL BLACK	CARBONIO / CARBON FIBER	ME047 e9 1356