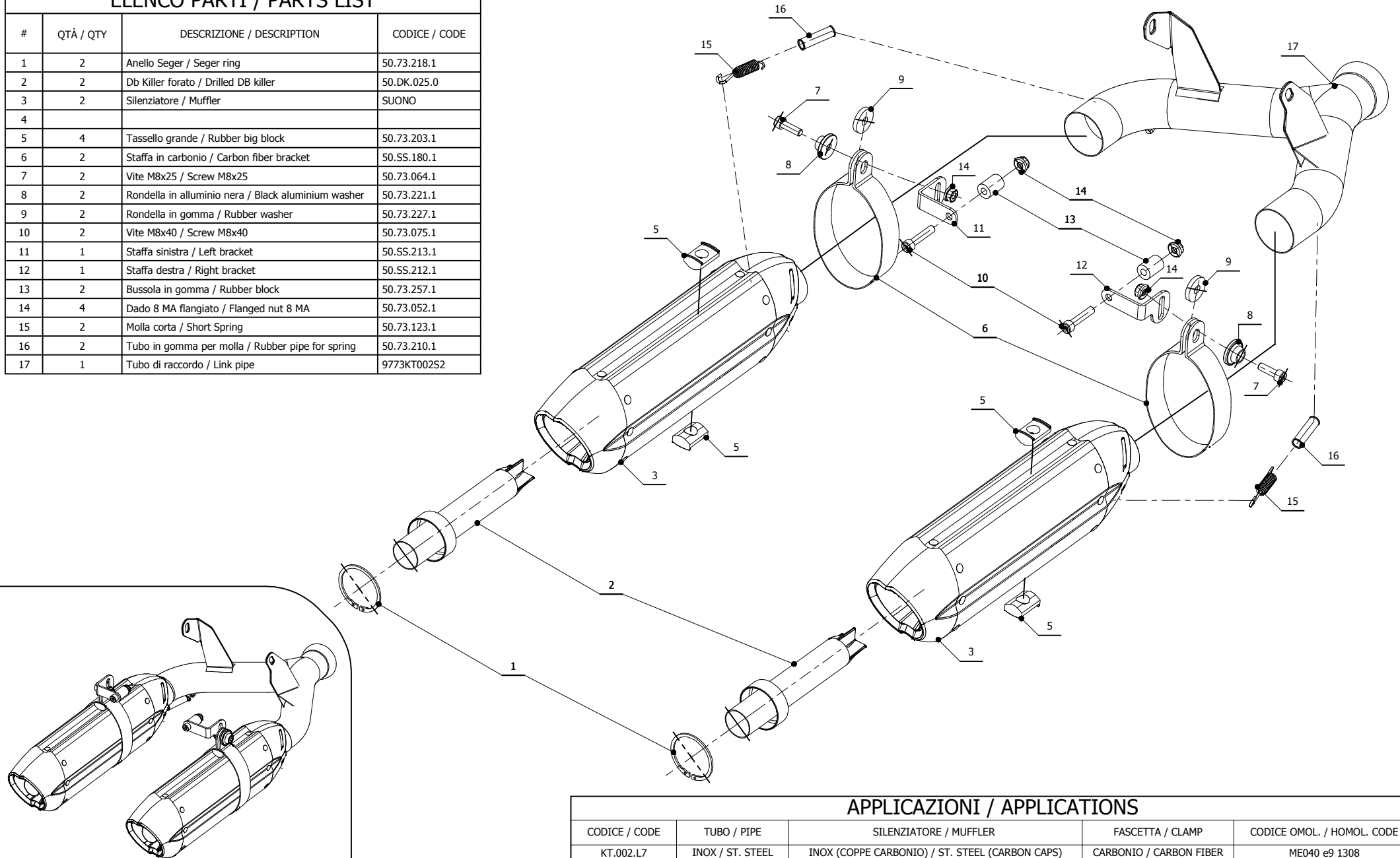


**ELENCO PARTI / PARTS LIST**

#	QTÀ / QTY	DESCRIZIONE / DESCRIPTION	CODICE / CODE
1	2	Anello Seger / Seger ring	50.73.218.1
2	2	Db Killer forato / Drilled DB killer	50.DK.025.0
3	2	Silenziatore / Muffler	SUONO
4			
5	4	Tassello grande / Rubber big block	50.73.203.1
6	2	Staffa in carbonio / Carbon fiber bracket	50.SS.180.1
7	2	Vite M8x25 / Screw M8x25	50.73.064.1
8	2	Rondella in alluminio nera / Black aluminium washer	50.73.221.1
9	2	Rondella in gomma / Rubber washer	50.73.227.1
10	2	Vite M8x40 / Screw M8x40	50.73.075.1
11	1	Staffa sinistra / Left bracket	50.SS.213.1
12	1	Staffa destra / Right bracket	50.SS.212.1
13	2	Bussola in gomma / Rubber block	50.73.257.1
14	4	Dado 8 MA flangiato / Flanged nut 8 MA	50.73.052.1
15	2	Molla corta / Short Spring	50.73.123.1
16	2	Tubo in gomma per molla / Rubber pipe for spring	50.73.210.1
17	1	Tubo di raccordo / Link pipe	9773KT00252


**APPLICAZIONI / APPLICATIONS**

CODICE / CODE	TUBO / PIPE	SILENZIATORE / MUFFLER	FASCETTA / CLAMP	CODICE OMOL. / HOMOL. CODE
KT.002.L7	INOX / ST. STEEL	INOX (COPPE CARBONIO) / ST. STEEL (CARBON CAPS)	CARBONIO / CARBON FIBER	ME040 e9 1308
KT.002.L9	INOX / ST. STEEL	CARBONIO (COPPE CARBONIO) / CARBON (CARBON CAPS)	CARBONIO / CARBON FIBER	ME040 e9 1308