



MODEL KAWASAKI Z 1000

YEAR 2010

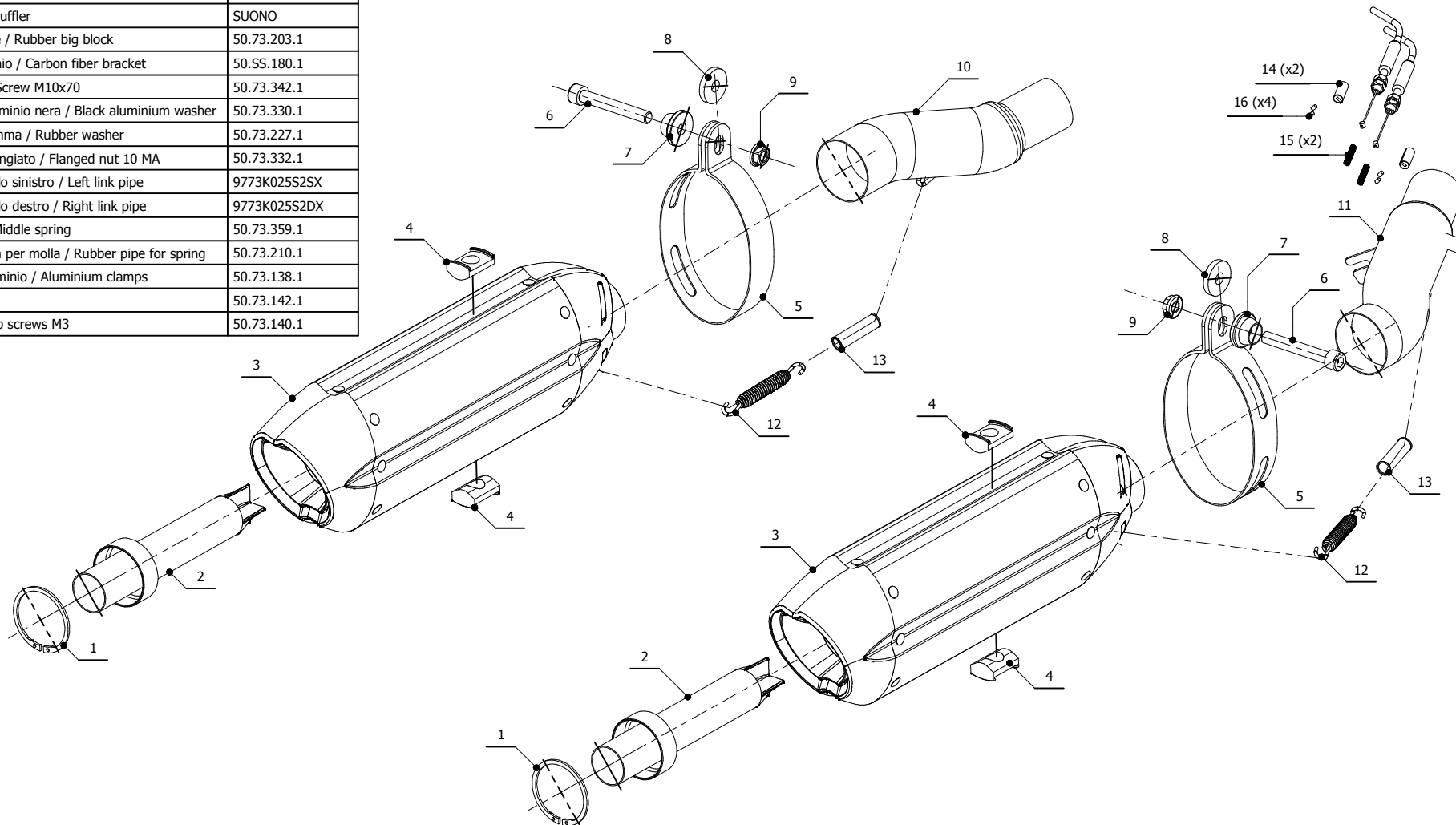
LINE SPORT

MUFFLER SUONO

SCHEMATIC

ELENCO PARTI / PARTS LIST

#	QTÀ / QTY	DESCRIZIONE / DESCRIPTION	CODICE / CODE
1	2	Anello Seger / Seger ring	50.73.218.1
2	2	Db Killer forato / Drilled DB killer	50.DK.025.0
3	2	Silenziatore / Muffler	SUONO
4	4	Tassello grande / Rubber big block	50.73.203.1
5	2	Staffa in carbonio / Carbon fiber bracket	50.SS.180.1
6	2	Vite M10x70 / Screw M10x70	50.73.342.1
7	2	Rondella in alluminio nera / Black aluminium washer	50.73.330.1
8	2	Rondella in gomma / Rubber washer	50.73.227.1
9	2	Dado 10 MA flangiato / Flanged nut 10 MA	50.73.332.1
10	1	Tubo di raccordo sinistro / Left link pipe	9773K025S2SX
11	1	Tubo di raccordo destro / Right link pipe	9773K025S2DX
12	2	Molla media / Middle spring	50.73.359.1
13	2	Tubo in gomma per molla / Rubber pipe for spring	50.73.210.1
14	2	Morsetti in alluminio / Aluminium clamps	50.73.138.1
15	2	Molla / Spring	50.73.142.1
16	4	Grani M3 / Grub screws M3	50.73.140.1



APPLICAZIONI / APPLICATIONS

CODICE / CODE	TUBO / PIPE	SILENZIATORE / MUFFLER	FASCETTA / CLAMP	CODICE OMOL. / HOMOL. CODE
K.025.L7	INOX / ST. STEEL	INOX (COPPE CARBONIO) / ST. STEEL (CARBON CAPS)	CARBONIO / CARBON FIBER	ME029 e9 1221
K.025.L9	INOX / ST. STEEL	CARBONIO (COPPE CARBONIO) / CARBON (CARBON CAPS)	CARBONIO / CARBON FIBER	ME029 e9 1221