



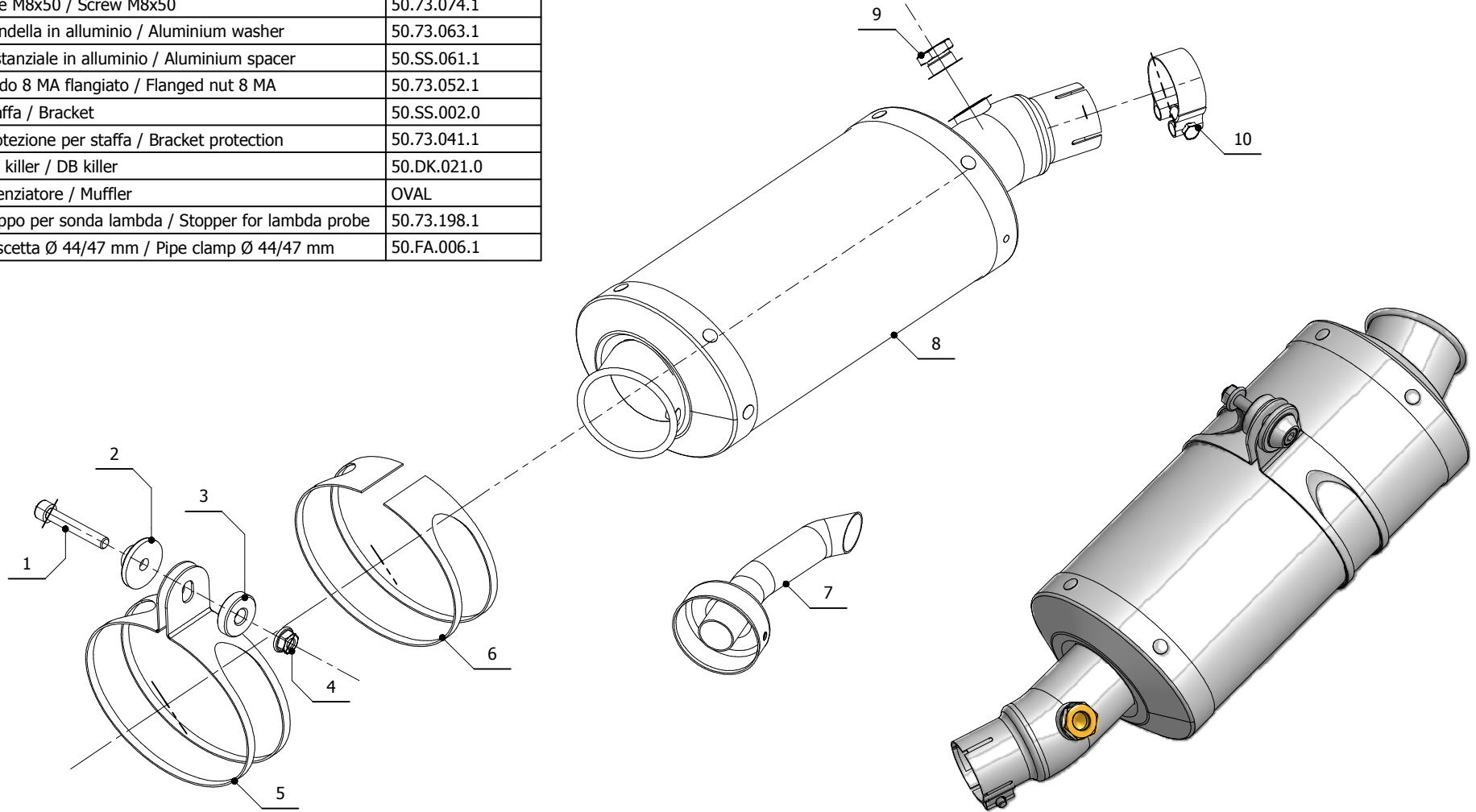
MODEL KAWASAKI ER-6f / Er-6n
KAWASAKI Versys 650
LINE SPORT

YEAR 2005-->
2006-->
MUFFLER OVAL

SCHEMATIC

ELENCO PARTI / PARTS LIST

#	QTÀ / QTY	DESCRIZIONE / DESCRIPTION	CODICE / CODE
1	1	Vite M8x50 / Screw M8x50	50.73.074.1
2	1	Rondella in alluminio / Aluminium washer	50.73.063.1
3	1	Distanziale in alluminio / Aluminium spacer	50.SS.061.1
4	1	Dado 8 MA flangiato / Flanged nut 8 MA	50.73.052.1
5	1	Staffa / Bracket	50.SS.002.0
6	1	Protezione per staffa / Bracket protection	50.73.041.1
7	1	DB killer / DB killer	50.DK.021.0
8	1	Silenziatore / Muffler	OVAL
9	1	Tappo per sonda lambda / Stopper for lambda probe	50.73.198.1
10	1	Fascetta Ø 44/47 mm / Pipe clamp Ø 44/47 mm	50.FA.006.1



APPLICAZIONI / APPLICATIONS

CODICE / CODE	TUBO / PIPE	SILENZIATORE / MUFFLER	FASCETTA / CLAMP	CODICE OMOL. / HOMOL. CODE
K.015.LE	INOX / ST. STEEL	CARBONIO / CARBON FIBER	INOX / ST. STEEL	ME046 e9 1352
K.015.LN	INOX / ST. STEEL	TITANIO / TITANIUM	INOX / ST. STEEL	ME046 e9 1352