



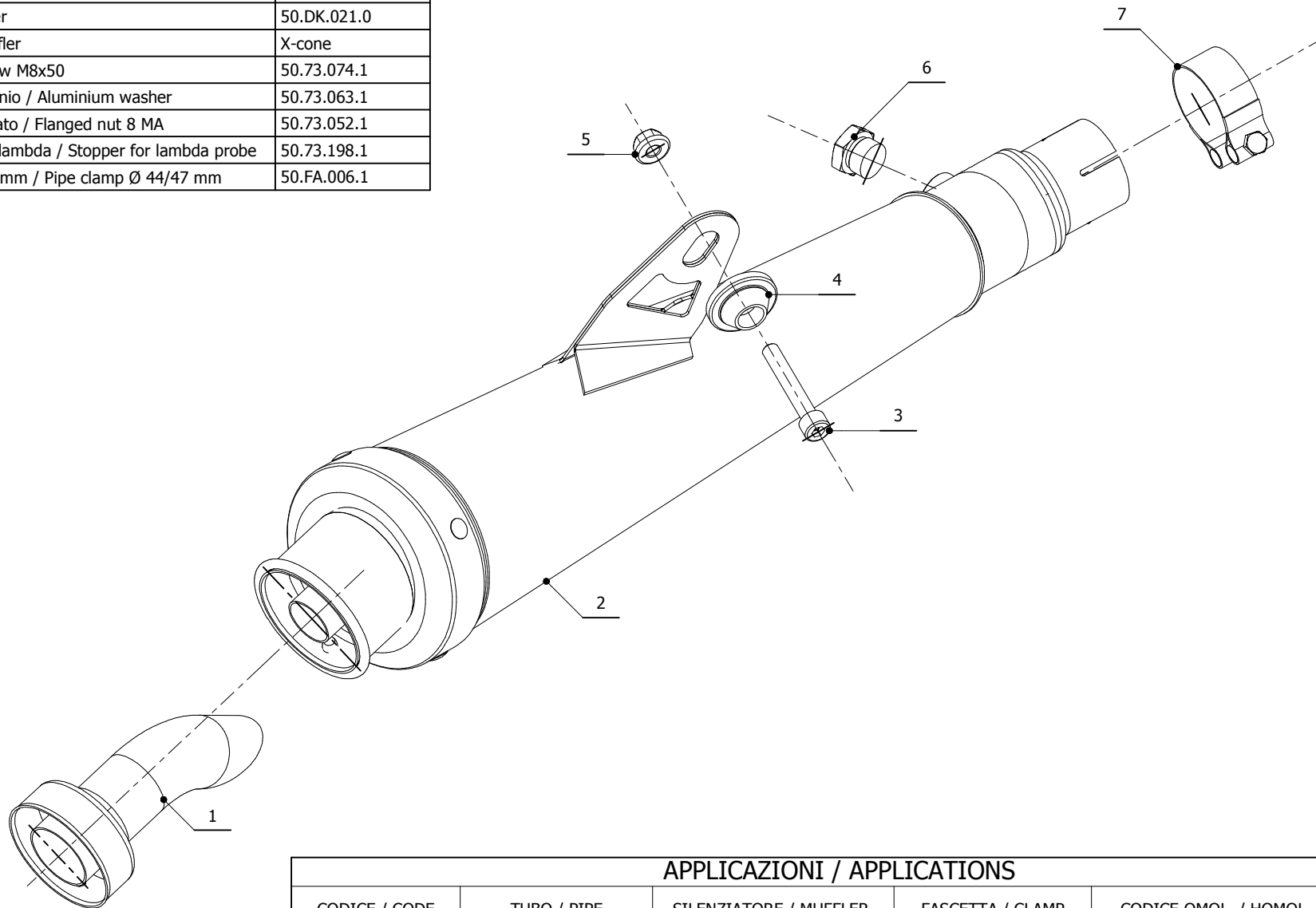
**MODEL** KAWASAKI ER-6n/f  
KAWASAKI VERSYS 650  
**LINE** SPORT

**YEAR** 2005-->  
2006-->  
**MUFFLER** X-CONE

**SCHEMATIC**

**ELENCO PARTI / PARTS LIST**

| # | QTÀ / QTY | DESCRIZIONE / DESCRIPTION                         | CODICE / CODE |
|---|-----------|---|---------------|
| 1 | 1         | DB killer / DB killer                             | 50.DK.021.0   |
| 2 | 1         | Silenziatore / Muffler                            | X-cone        |
| 3 | 1         | Vite M8x50 / Screw M8x50                          | 50.73.074.1   |
| 4 | 1         | Rondella in alluminio / Aluminium washer          | 50.73.063.1   |
| 5 | 1         | Dado 8 MA flangiato / Flanged nut 8 MA            | 50.73.052.1   |
| 6 | 1         | Tappo per sonda lambda / Stopper for lambda probe | 50.73.198.1   |
| 7 | 1         | Fascetta Ø 44/47 mm / Pipe clamp Ø 44/47 mm       | 50.FA.006.1   |



**APPLICAZIONI / APPLICATIONS**

| CODICE / CODE | TUBO / PIPE      | SILENZIATORE / MUFFLER | FASCETTA / CLAMP | CODICE OMOL. / HOMOL. CODE |
|---------------|------------------|------------------------|------------------|----------------------------|
| K.015.LC3     | INOX / ST. STEEL | INOX / ST. STEEL       | ---              | ME046 e9 1352              |