



**MODEL** KAWASAKI Z1000

**YEAR** 2003-2006

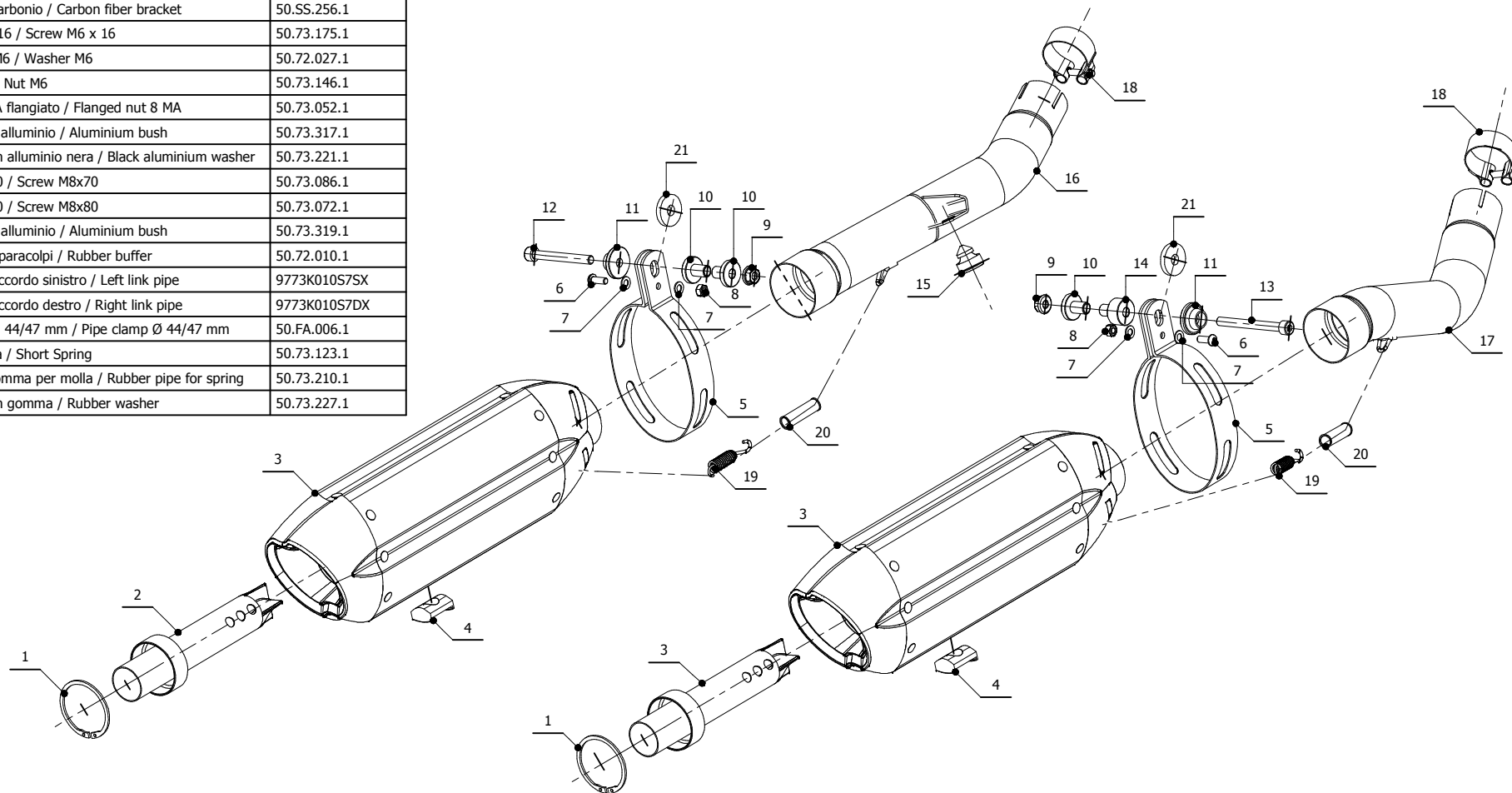
**LINE** SPORT

**MUFFLER** SUONO

**SCHEMATIC**

**ELENCO PARTI / PARTS LIST**

#	QTÀ / QTY	DESCRIZIONE / DESCRIPTION	CODICE / CODE
1	2	Anello Seger / Seger ring	50.73.218.1
2	2	DB killer / DB killer	50.DK.024.0
3	2	Silenziatore / Muffler	SUONO
4	2	Tassello grande / Rubber big block	50.73.203.1
5	2	Staffa in carbonio / Carbon fiber bracket	50.SS.256.1
6	2	Vite M6 x 16 / Screw M6 x 16	50.73.175.1
7	4	Rondella M6 / Washer M6	50.72.027.1
8	2	Dado M6 / Nut M6	50.73.146.1
9	2	Dado 8 MA flangiato / Flanged nut 8 MA	50.73.052.1
10	3	Bussola in alluminio / Aluminium bush	50.73.317.1
11	2	Rondella in alluminio nera / Black aluminium washer	50.73.221.1
12	1	Vite M8x70 / Screw M8x70	50.73.086.1
13	1	Vite M8x80 / Screw M8x80	50.73.072.1
14	1	Bussola in alluminio / Aluminium bush	50.73.319.1
15	1	Gommino paracolpi / Rubber buffer	50.72.010.1
16	1	Tubo di raccordo sinistro / Left link pipe	9773K010S7SX
17	1	Tubo di raccordo destro / Right link pipe	9773K010S7DX
18	2	Fascetta Ø 44/47 mm / Pipe clamp Ø 44/47 mm	50.FA.006.1
19	2	Molla corta / Short Spring	50.73.123.1
20	2	Tubo in gomma per molla / Rubber pipe for spring	50.73.210.1
21	2	Rondella in gomma / Rubber washer	50.73.227.1



**APPLICAZIONI / APPLICATIONS**

CODICE / CODE	TUBO / PIPE	SILENZIATORE / MUFFLER	FASCETTA / CLAMP	CODICE OMOL. / HOMOL. CODE
K.010.L7	INOX / ST. STEEL	INOX (COPPE CARBONIO) / ST. STEEL (CARBON CAPS)	CARBONIO / CARBON FIBER	ME029 e9 1221
K.010.L9	INOX / ST. STEEL	CARBONIO (COPPE CARBONIO) / CARBON (CARBON CAPS)	CARBONIO / CARBON FIBER	ME029 e9 1221