



**MODEL** HONDA SH 125 / SH 150

**YEAR** 2013-->

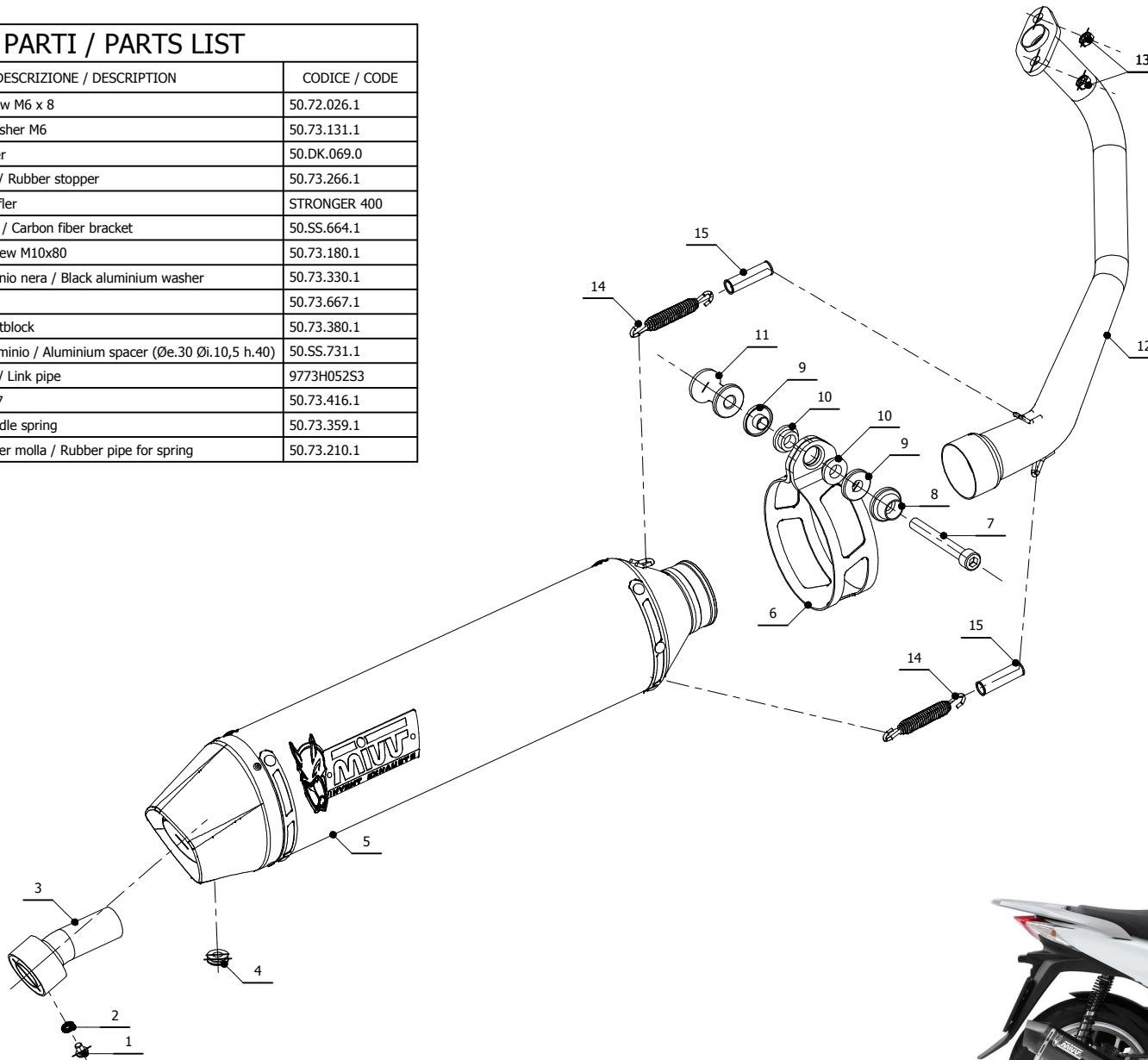
**LINE** SPORT

**MUFFLER** STRONGER

**SCHEMATIC**

**ELENCO PARTI / PARTS LIST**

#	QTÀ / QTY	DESCRIZIONE / DESCRIPTION	CODICE / CODE
1	1	Vite M6 x 8 / Screw M6 x 8	50.72.026.1
2	1	Rondella M6 / Washer M6	50.73.131.1
3	1	DB killer / DB killer	50.DK.069.0
4	1	Tappo in gomma / Rubber stopper	50.73.266.1
5	1	Silenziatore / Muffler	STRONGER 400
6	1	Staffa in carbonio / Carbon fiber bracket	50.SS.664.1
7	1	Vite M10x80 / Screw M10x80	50.73.180.1
8	1	Rondella in alluminio nera / Black aluminium washer	50.73.330.1
9	2	Boccola / Bush	50.73.667.1
10	2	Silentblock / Silentblock	50.73.380.1
11	1	Distanziale in alluminio / Aluminium spacer (Øe.30 Øi.10,5 h.40)	50.SS.731.1
12	1	Tubo di raccordo / Link pipe	9773H052S3
13	2	Dado M7 / Nut M7	50.73.416.1
14	2	Molla media / Middle spring	50.73.359.1
15	2	Tubo in gomma per molla / Rubber pipe for spring	50.73.210.1



**APPLICAZIONI / APPLICATIONS**

CODICE / CODE	TUBO / PIPE	SILENZIATORE / MUFFLER	FASCETTA / CLAMP	CODICE OMOL. / HOMOL. CODE
H.052.LBSC	INOX / ST. STEEL	STEEL BLACK	CARBONIO / CARBON FIBER	ME041 e9 1309