



MODEL HONDA CB 500 F/X - CBR 500 R

YEAR 2013

LINE SPORT

MUFFLER GP

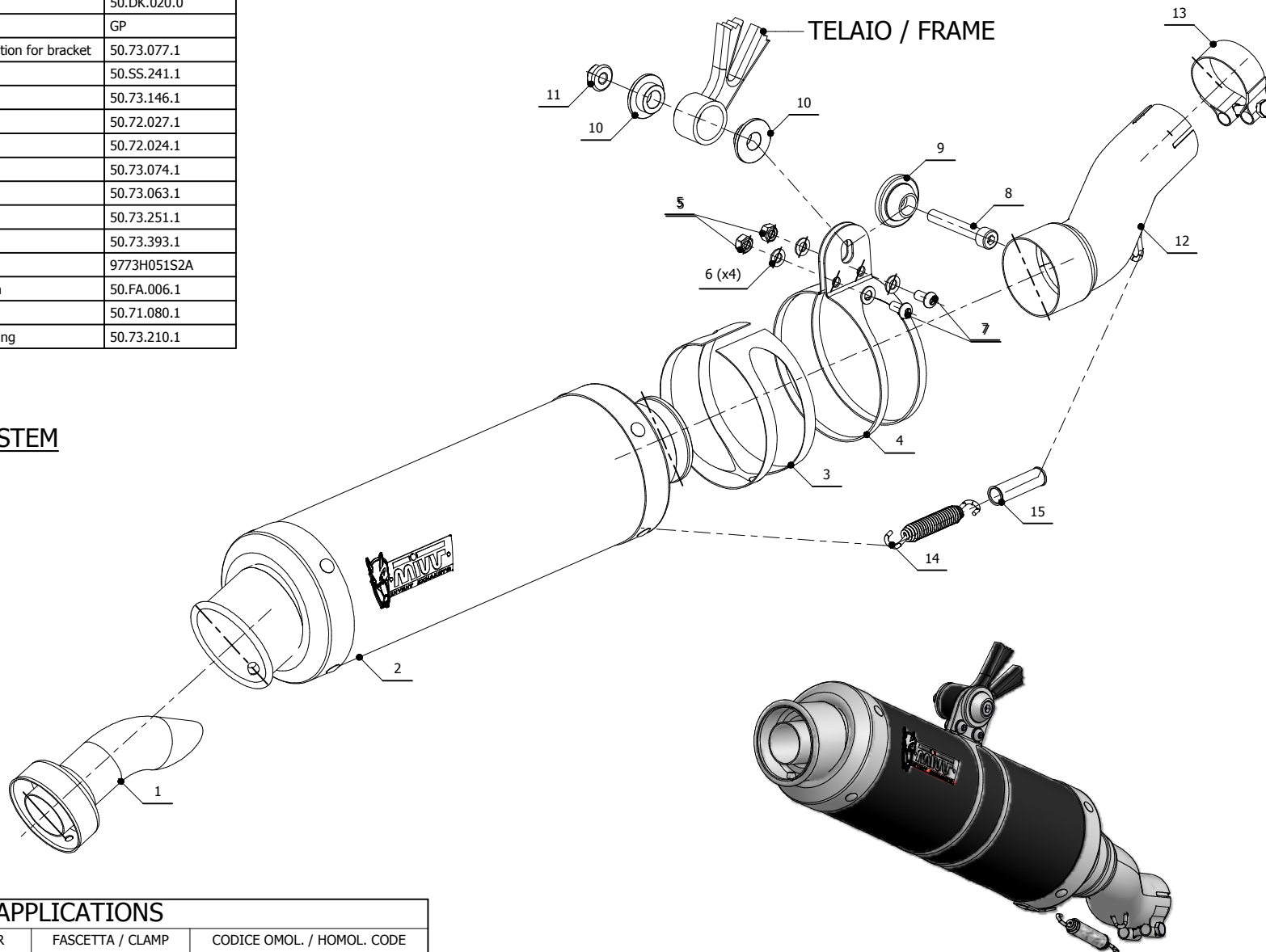
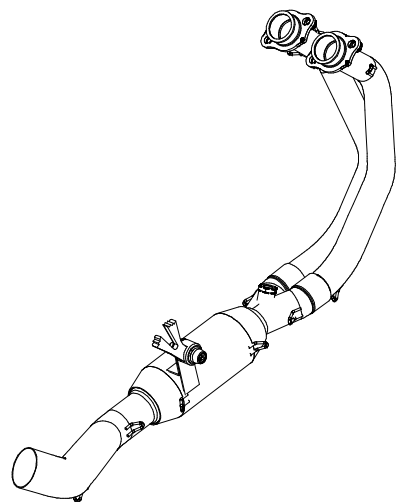
SCHEMATIC

ELENCO PARTI / PARTS LIST

#	QTÀ / QTY	DESCRIZIONE / DESCRIPTION	CODICE / CODE
1	1	DB killer / DB killer	50.DK.020.0
2	1	Silenziatore / Muffler	GP
3	1	Protezione in gomma per staffa / Rubber protection for bracket	50.73.077.1
4	1	Staffa / Bracket	50.SS.241.1
5	2	Dado M6 / Nut M6	50.73.146.1
6	4	Rondella M6 / Washer M6	50.72.027.1
7	2	Vite M6 x 12 / Screw M6 x 12	50.72.024.1
8	1	Vite M8x50 / Screw M8x50	50.73.074.1
9	1	Rondella in alluminio / Aluminium washer	50.73.063.1
10	2	Rondella in alluminio / Aluminium washer	50.73.251.1
11	1	Dado 8 MA flangiato / Flanged nut 8 MA	50.73.393.1
12	1	Tubo di raccordo / Link pipe	9773H051S2A
13	1	Fascetta Ø 44/47 mm / Pipe clamp Ø 44/47 mm	50.FA.006.1
14	1	Molla lunga / Long spring	50.71.080.1
15	1	Tubo in gomma per molla / Rubber pipe for spring	50.73.210.1

OPTIONAL PARTS

H.051.C1 - NO KAT COLLECTORS SYSTEM



APPLICAZIONI / APPLICATIONS

CODICE / COD	TUBO / PIPE	SILENZIATORE / MUFFLER	FASCETTA / CLAMP	CODICE OMOL. / HOMOL. CODE
H.051.L2S	INOX / ST. STEEL	CARBONIO / CARBON FIBER	INOX / ST. STEEL	ME046 e9 1352
H.051.L6S	INOX / ST. STEEL	TITANIO / TITANIUM	INOX / ST. STEEL	ME046 e9 1352
H.051.LXB	INOX / ST. STEEL	STEEL BLACK	INOX / ST. STEEL	ME046 e9 1352