



**MODEL** HONDA SH 125 / SH 150

**YEAR** 2002-->

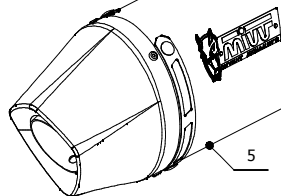
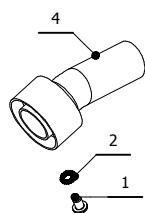
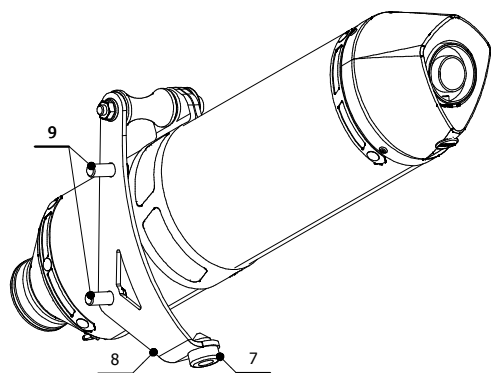
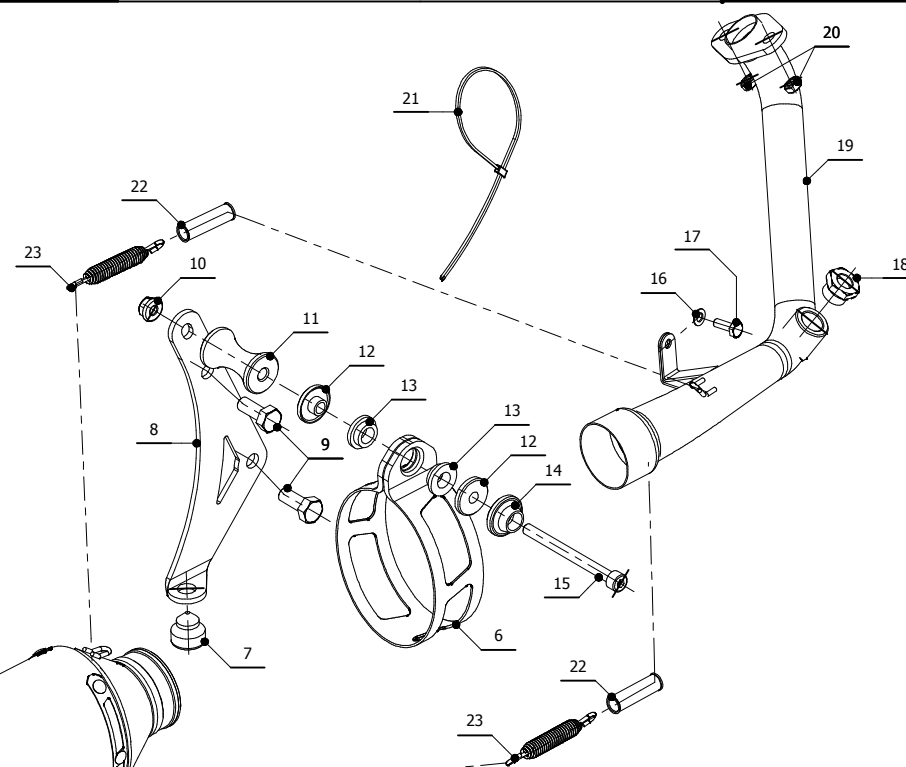
**LINE** SPORT

**MUFFLER** STRONGER

**SCHEMATIC**

**ELENCO PARTI / PARTS LIST**

#	QTÀ / QTY	DESCRIZIONE / DESCRIPTION	CODICE / CODE
1	1	Vite M6 x 8 / Screw M6 x 8	50.72.026.1
2	1	Rondella M6 / Washer M6	50.73.131.1
3	1	Tappo in gomma / Rubber stopper	50.73.266.1
4	1	DB killer / DB killer	50.DK.069.0
5	1	Silenziatore / Muffler	STRONGER 400
6	1	Staffa in carbonio / Carbon fiber bracket	50.SS.664.1
7	1	Gommino paracolpi / Rubber buffer	50.72.010.1
8	1	Staffa / Bracket	50.SS.736.0
9	2	Vite M10x25 / Screw M10x25	50.73.183.1
10	1	Dado 8 MA flangiato / Flanged nut 8 MA	50.73.393.1
11	1	Distanziale in alluminio / Aluminium spacer	50.SS.150.1
12	2	Boccola / Bush	50.73.381.1
13	2	Silentblock / Silentblock	50.73.380.1
14	1	Rondella in alluminio nera / Black aluminium washer	50.73.221.1
15	1	Vite M8x90 / Screw M8x90	50.73.073.1
16	1	Rondella M6 / Washer M6	50.72.027.1
17	1	Vite M6x16 / Screw M6x16	50.73.087.1
18	1	Tappo per sonda lambda / Stopper for lambda probe	50.73.198.1
19	1	Tubo di raccordo / Link pipe	9773H050S2
20	2	Dado M7 / Nut M7	50.73.416.1
21	1	Fascetta in nylon / Nylon clamp	50.73.361.1
22	2	Tubo in gomma per molla / Rubber pipe for spring	50.73.210.1
23	2	Molla lunga / Long spring	50.71.080.1



**APPLICAZIONI / APPLICATIONS**

CODICE / CODE	TUBO / PIPE	SILENZIATORE / MUFFLER	FASCETTA / CLAMP	CODICE OMOL. / HOMOL. CODE
H.050.LBSC	INOX / ST. STEEL	STEEL BLACK	CARBONIO / CARBON FIBER	ME041 e9 1309