



MODEL HONDA SH 300 i

YEAR 2007-->

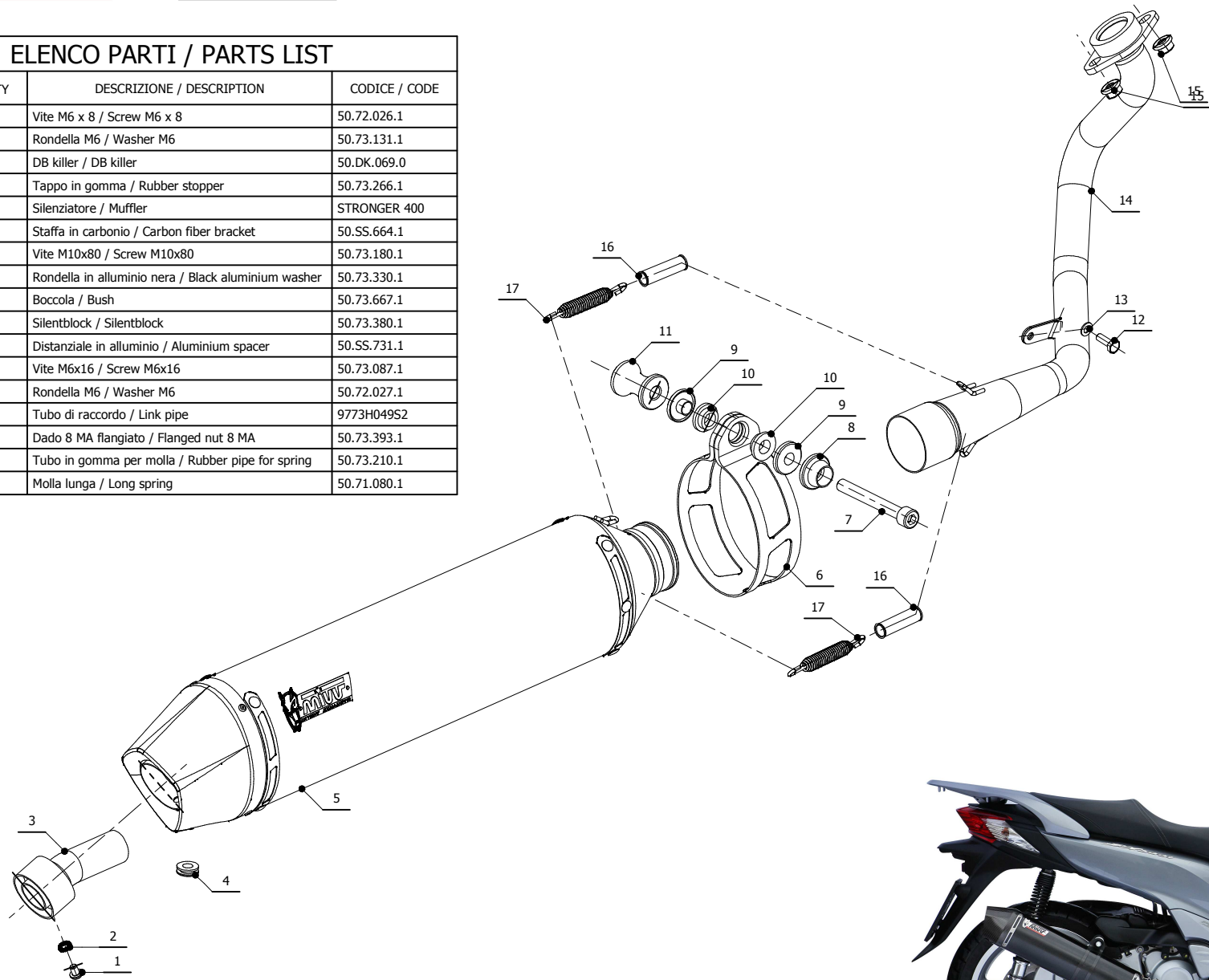
LINE SPORT

MUFFLER STRONGER

SCHEMATIC

ELENCO PARTI / PARTS LIST

#	QTÀ / QTY	DESCRIZIONE / DESCRIPTION	CODICE / CODE
1	1	Vite M6 x 8 / Screw M6 x 8	50.72.026.1
2	1	Rondella M6 / Washer M6	50.73.131.1
3	1	DB killer / DB killer	50.DK.069.0
4	1	Tappo in gomma / Rubber stopper	50.73.266.1
5	1	Silenziatore / Muffler	STRONGER 400
6	1	Staffa in carbonio / Carbon fiber bracket	50.SS.664.1
7	1	Vite M10x80 / Screw M10x80	50.73.180.1
8	1	Rondella in alluminio nera / Black aluminium washer	50.73.330.1
9	2	Boccola / Bush	50.73.667.1
10	2	Silentblock / Silentblock	50.73.380.1
11	1	Distanziale in alluminio / Aluminium spacer	50.SS.731.1
12	1	Vite M6x16 / Screw M6x16	50.73.087.1
13	1	Rondella M6 / Washer M6	50.72.027.1
14	1	Tubo di raccordo / Link pipe	9773H049S2
15	2	Dado 8 MA flangiato / Flanged nut 8 MA	50.73.393.1
16	2	Tubo in gomma per molla / Rubber pipe for spring	50.73.210.1
17	2	Molla lunga / Long spring	50.71.080.1



APPLICAZIONI / APPLICATIONS

CODICE / CODE	TUBO / PIPE	SILENZIATORE / MUFFLER	FASCETTA / CLAMP	CODICE OMOL. / HOMOL. CODE
H.049.LBSC	INOX / ST. STEEL	STEEL BLACK	CARBONIO / CARBON FIBER	ME041 e9 1309