



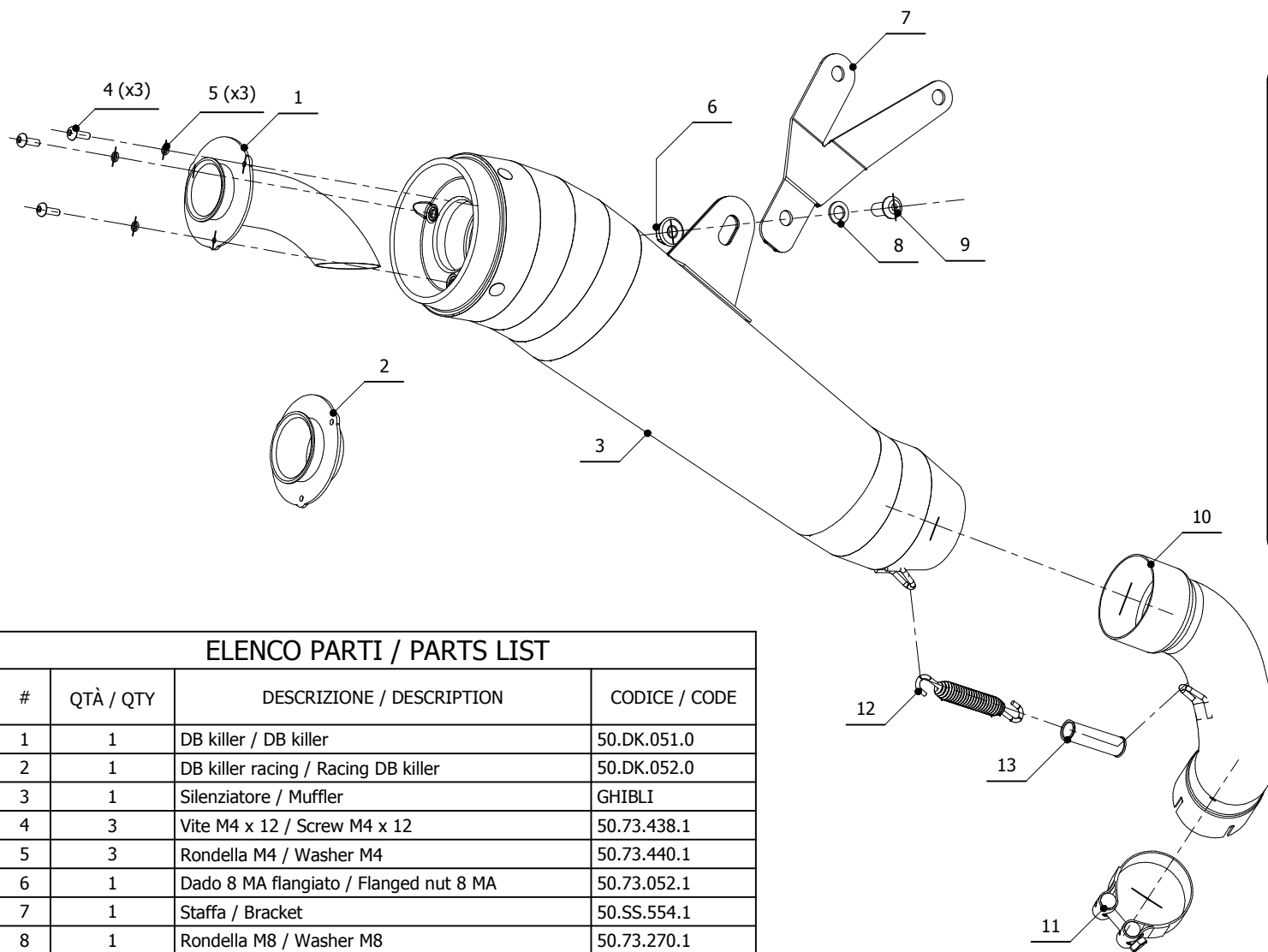
MODEL HONDA CB1000 R

YEAR 2008-->

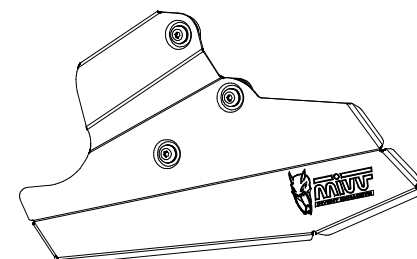
LINE SPORT

MUFFLER GHIBLI

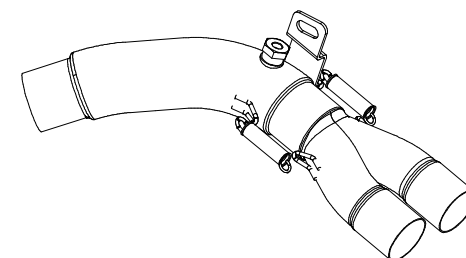
SCHEMATIC



PARTI OPZIONALI / OPTIONAL PARTS



COPERTURA IN ALLUMINIO / ALUMINIUM COVER
50.CR.011.0 + KIT



TUBO ELIMINA KAT / NO KAT PIPE
00.73.H.041.C1

ELENCO PARTI / PARTS LIST

| # | QTÀ / QTY | DESCRIZIONE / DESCRIPTION | CODICE / CODE |
|----|-----------|--|---------------|
| 1 | 1 | DB killer / DB killer | 50.DK.051.0 |
| 2 | 1 | DB killer racing / Racing DB killer | 50.DK.052.0 |
| 3 | 1 | Silenziatore / Muffler | GHIBLI |
| 4 | 3 | Vite M4 x 12 / Screw M4 x 12 | 50.73.438.1 |
| 5 | 3 | Rondella M4 / Washer M4 | 50.73.440.1 |
| 6 | 1 | Dado 8 MA flangiato / Flanged nut 8 MA | 50.73.052.1 |
| 7 | 1 | Staffa / Bracket | 50.SS.554.1 |
| 8 | 1 | Rondella M8 / Washer M8 | 50.73.270.1 |
| 9 | 1 | Vite M8 x 16 / Screw M8 x 16 | 50.73.098.1 |
| 10 | 1 | Tubo di raccordo / Link pipe | 9773H041S2 |
| 11 | 1 | Fascetta Ø 48/51 mm / Pipe clamp Ø 48/51 mm | 50.FA.007.1 |
| 12 | 1 | Molla media / Middle spring | 50.73.359.1 |
| 13 | 1 | Tubo in gomma per molla / Rubber pipe for spring | 50.73.210.1 |

APPLICAZIONI / APPLICATIONS

| CODICE / CODE | TUBO / PIPE | SILENZIATORE / MUFFLER | CODICE OMOL. / HOMOL. CODE |
|---------------|------------------|------------------------|----------------------------|
| H.041.LGX | INOX / ST. STEEL | INOX / ST. STEEL | ME047 e9 1356 |