



**MODEL** HONDA FMX 650

**YEAR** 2005 -->

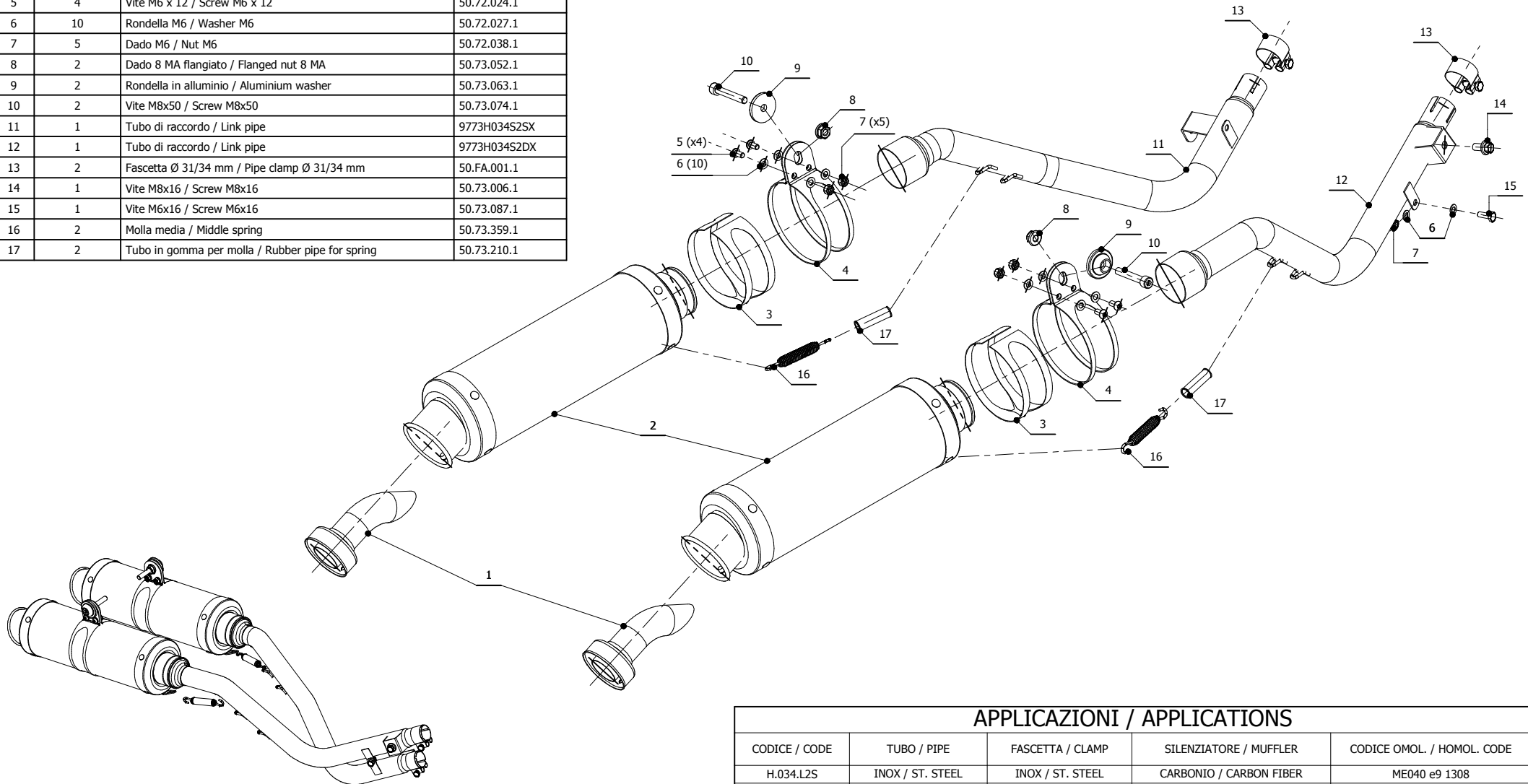
**LINE** SPORT

**MUFFLER** GP

**SCHEMATIC**

**ELENCO PARTI / PARTS LIST**

#	QTÀ / QTY	DESCRIZIONE / DESCRIPTION	CODICE / CODE
1	2	DB killer / DB killer	50.DK.020.0
2	2	Silenziatore / Muffler	GP
3	2	Protezione in gomma per staffa / Rubber protection for bracket	50.73.077.1
4	2	Staffa / Bracket	50.SS.241.1
5	4	Vite M6 x 12 / Screw M6 x 12	50.72.024.1
6	10	Rondella M6 / Washer M6	50.72.027.1
7	5	Dado M6 / Nut M6	50.72.038.1
8	2	Dado 8 MA flangiato / Flanged nut 8 MA	50.73.052.1
9	2	Rondella in alluminio / Aluminium washer	50.73.063.1
10	2	Vite M8x50 / Screw M8x50	50.73.074.1
11	1	Tubo di raccordo / Link pipe	9773H034S2SX
12	1	Tubo di raccordo / Link pipe	9773H034S2DX
13	2	Fascetta Ø 31/34 mm / Pipe clamp Ø 31/34 mm	50.FA.001.1
14	1	Vite M8x16 / Screw M8x16	50.73.006.1
15	1	Vite M6x16 / Screw M6x16	50.73.087.1
16	2	Molla media / Middle spring	50.73.359.1
17	2	Tubo in gomma per molla / Rubber pipe for spring	50.73.210.1



**APPLICAZIONI / APPLICATIONS**

CODICE / CODE	TUBO / PIPE	FASCETTA / CLAMP	SILENZIATORE / MUFFLER	CODICE OMOL. / HOMOL. CODE
H.034.L2S	INOX / ST. STEEL	INOX / ST. STEEL	CARBONIO / CARBON FIBER	ME040 e9 1308
H.034.L6S	INOX / ST. STEEL	INOX / ST. STEEL	TITANIO / TITANIUM	ME040 e9 1308