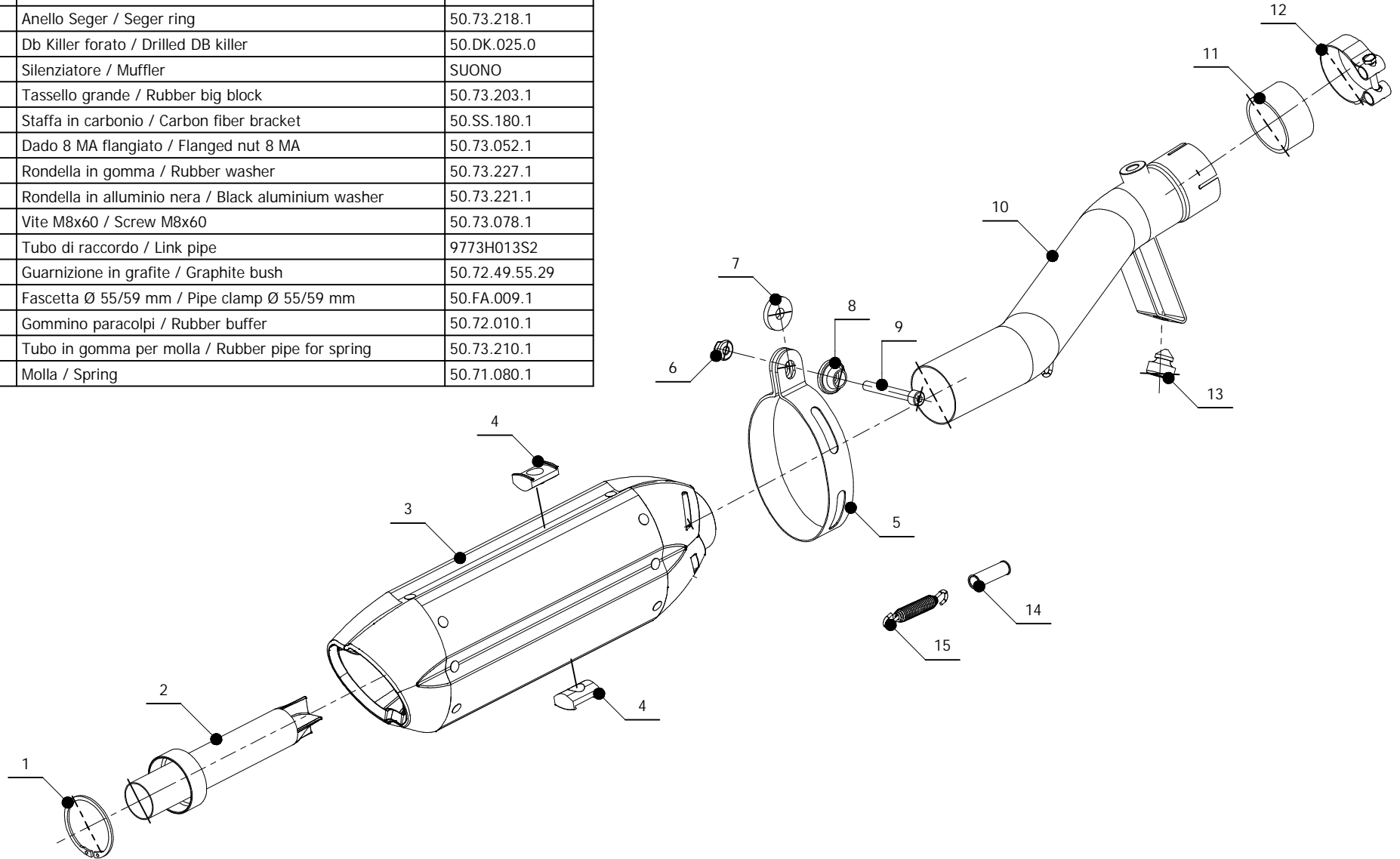


ELENCO PARTI / PARTS LIST

#	QTÀ / QTY	DESCRIZIONE / DESCRIPTION	CODICE / CODE
1	1	Anello Seger / Seger ring	50.73.218.1
2	1	Db Killer forato / Drilled DB killer	50.DK.025.0
3	1	Silenziatore / Muffler	SUONO
4	2	Tassello grande / Rubber big block	50.73.203.1
5	1	Staffa in carbonio / Carbon fiber bracket	50.SS.180.1
6	1	Dado 8 MA flangiato / Flanged nut 8 MA	50.73.052.1
7	1	Rondella in gomma / Rubber washer	50.73.227.1
8	1	Rondella in alluminio nera / Black aluminium washer	50.73.221.1
9	1	Vite M8x60 / Screw M8x60	50.73.078.1
10	1	Tubo di raccordo / Link pipe	9773H013S2
11	1	Guarnizione in grafite / Graphite bush	50.72.49.55.29
12	1	Fascetta Ø 55/59 mm / Pipe clamp Ø 55/59 mm	50.FA.009.1
13	1	Gommino paracolpi / Rubber buffer	50.72.010.1
14	1	Tubo in gomma per molla / Rubber pipe for spring	50.73.210.1
15	1	Molla / Spring	50.71.080.1


APPLICAZIONI / APPLICATIONS

CODICE / CODE	TUBO / PIPE	SILENZIATORE / MUFFLER	FASCETTA / CLAMP	CODICE OMOLOGAZIONE / HOMOLOGATION CODE
H.013.L7	INOX / STAINLESS STEEL	CARBONIO E TITANIO / CARBON FIBER AND TITANIUM	CARBONIO / CARBON FIBER	ME008 e9 1176