



MODEL GILERA RUNNER 200

YEAR 2008-->

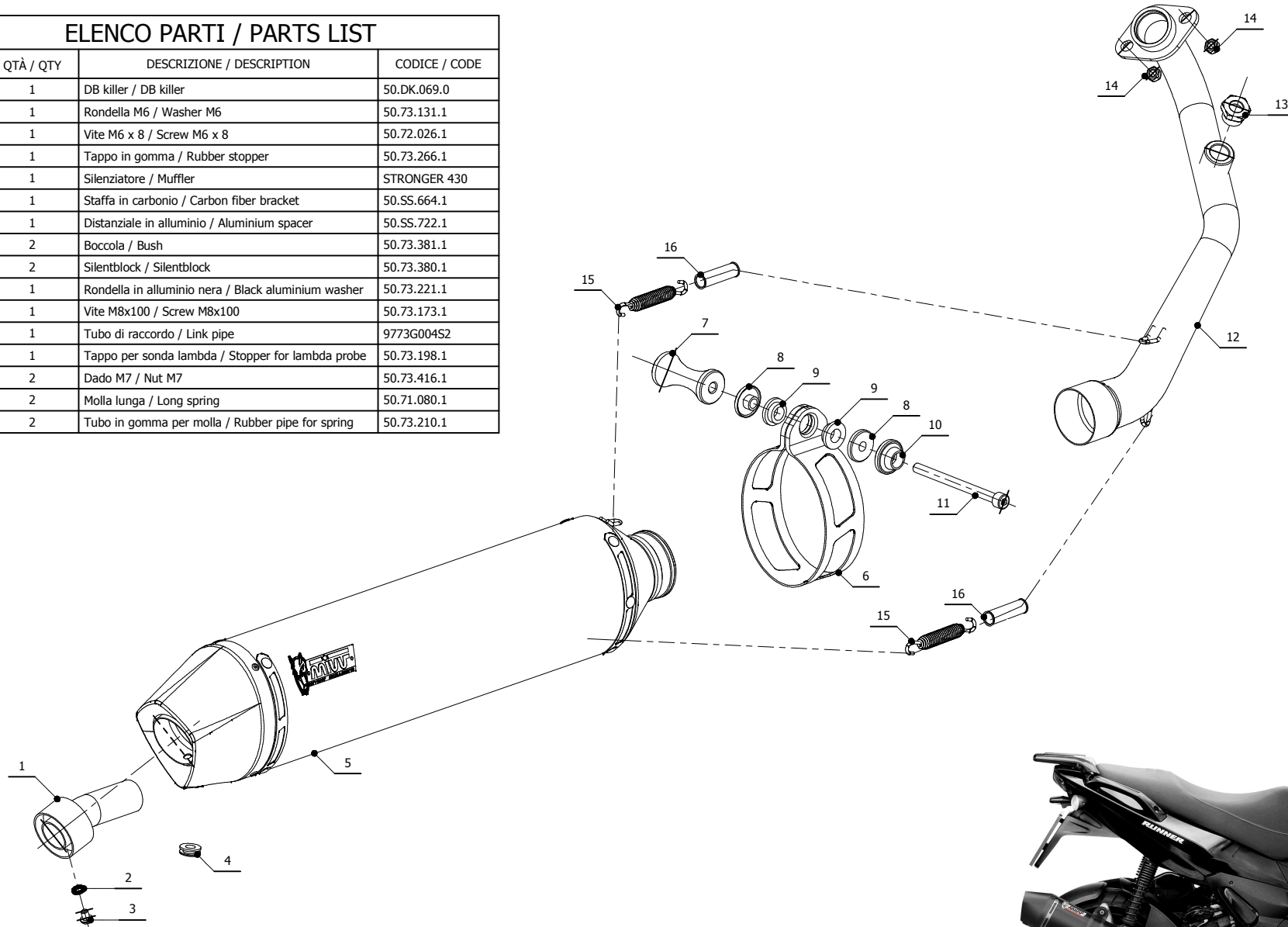
LINE SPORT

MUFFLER STRONGER

SCHEMATIC

ELENCO PARTI / PARTS LIST

#	QTÀ / QTY	DESCRIZIONE / DESCRIPTION	CODICE / CODE
1	1	DB killer / DB killer	50.DK.069.0
2	1	Rondella M6 / Washer M6	50.73.131.1
3	1	Vite M6 x 8 / Screw M6 x 8	50.72.026.1
4	1	Tappo in gomma / Rubber stopper	50.73.266.1
5	1	Silenziatore / Muffler	STRONGER 430
6	1	Staffa in carbonio / Carbon fiber bracket	50.SS.664.1
7	1	Distanziale in alluminio / Aluminium spacer	50.SS.722.1
8	2	Boccola / Bush	50.73.381.1
9	2	Silentblock / Silentblock	50.73.380.1
10	1	Rondella in alluminio nera / Black aluminium washer	50.73.221.1
11	1	Vite M8x100 / Screw M8x100	50.73.173.1
12	1	Tubo di raccordo / Link pipe	9773G004S2
13	1	Tappo per sonda lambda / Stopper for lambda probe	50.73.198.1
14	2	Dado M7 / Nut M7	50.73.416.1
15	2	Molla lunga / Long spring	50.71.080.1
16	2	Tubo in gomma per molla / Rubber pipe for spring	50.73.210.1



APPLICAZIONI / APPLICATIONS

CODICE / CODE	TUBO / PIPE	SILENZIATORE / MUFFLER	FASCETTA / CLAMP	CODICE OMOL. / HOMOL. CODE
G.005.LBSC	INOX / ST. STEEL	STEEL BLACK	CARBONIO / CARBON FIBER	ME041 e9 1309