



**MODEL** BMW R 1150 GS

**YEAR** 1999-2003

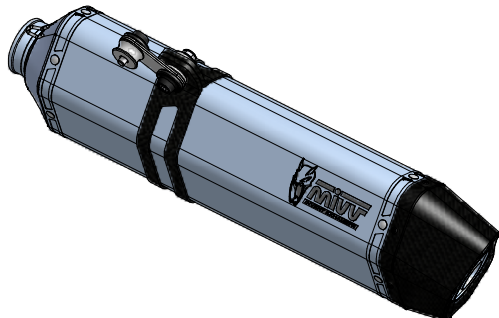
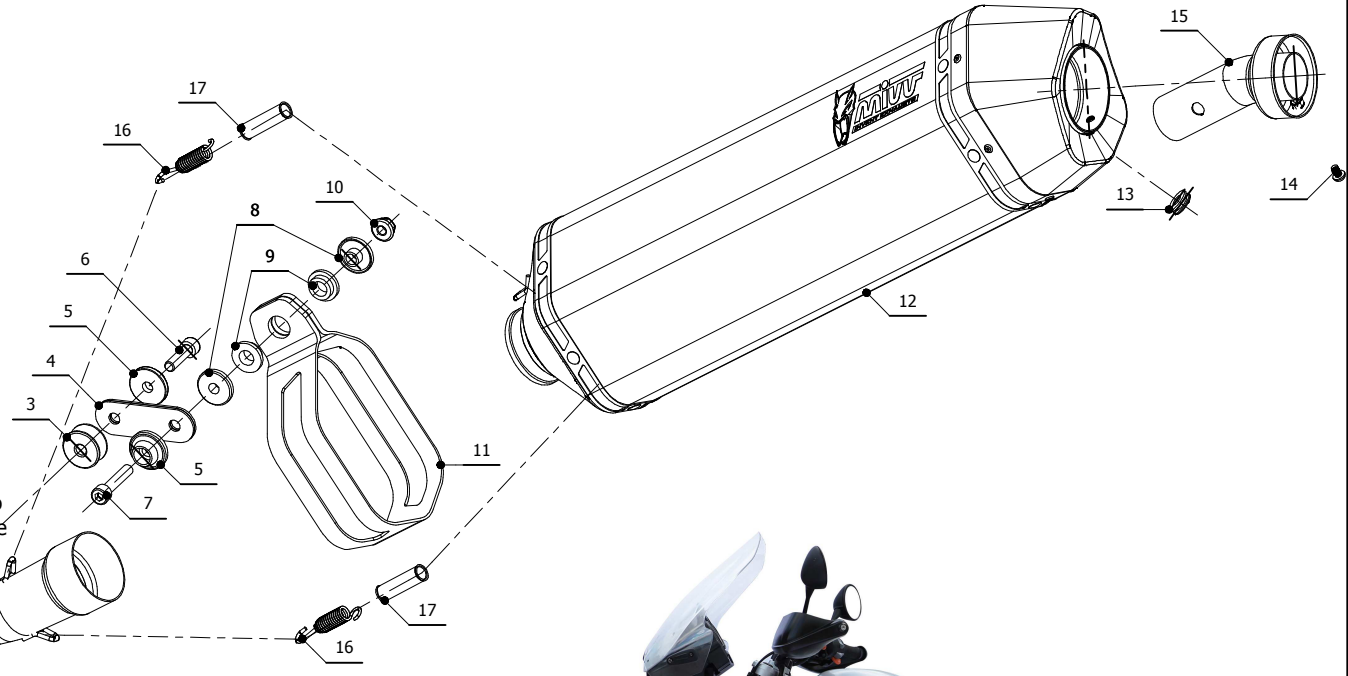
**LINE** SPORT

**MUFFLER** SPEED EDGE

**SCHEMATIC**

**ELENCO PARTI / PARTS LIST**

#	QTÀ / QTY	DESCRIZIONE / DESCRIPTION	CODICE / CODE
1	1	Fascetta Ø 44/47 mm / Pipe clamp Ø 44/47 mm	50.FA.006.1
2	1	Tube di raccordo / Link pipe	9773B015SHX
3	1	Distanziale in alluminio / Aluminium spacer	50.SS.454.1
4	1	Staffa / Bracket	50.SS.643.0
5	2	Rondella in alluminio nera / Black aluminium washer	50.73.221.1
6	1	Vite M8x30 / Screw M8x30	50.73.219.1
7	1	Vite M8x40 / Screw M8x40	50.73.075.1
8	2	Boccola / Bush	50.73.381.1
9	2	Silentblock / Silentblock	50.73.380.1
10	1	Dado 8 MA flangiato / Flanged nut 8 MA	50.73.393.1
11	1	Staffa in carbonio / Carbon fiber bracket	50.SS.663.1
12	1	Silenziatore / Muffler	SPEED EDGE 430
13	1	Tappo in gomma / Rubber stopper	50.73.266.1
14	1	Vite M5 x 8 / Screw M5 x 8	50.73.459.1
15	1	DB killer / DB killer	50.DK.068.0
16	2	Molla corta / Short Spring	50.73.123.1
17	2	Gommino per molla / Rubber for spring	50.73.210.1



Fissare al telaio  
Fix to the frame

**OPTIONAL PARTS  
B.015.C1 - NO KAT PIPE**



**APPLICAZIONI / APPLICATIONS**

CODICE / CODE	TUBO / PIPE	SILENZIATORE / MUFFLER	FASCETTA / CLAMP	CODICE OMOL. / HOMOL. CODE
B.015.LHX	INOX / ST. STEEL	INOX (COPPE CARBONIO) / ST. STEEL (CARBON CAPS)	CARBONIO / CARBON FIBER	ME008 e9 1176