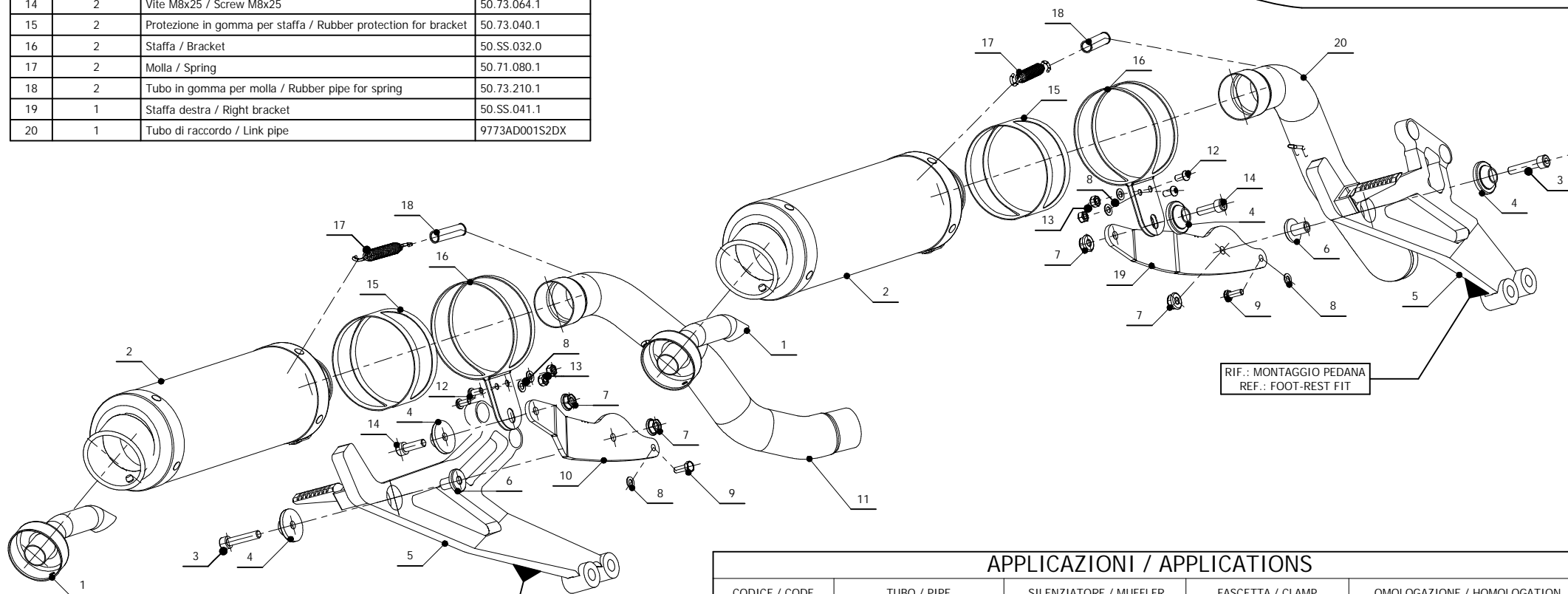
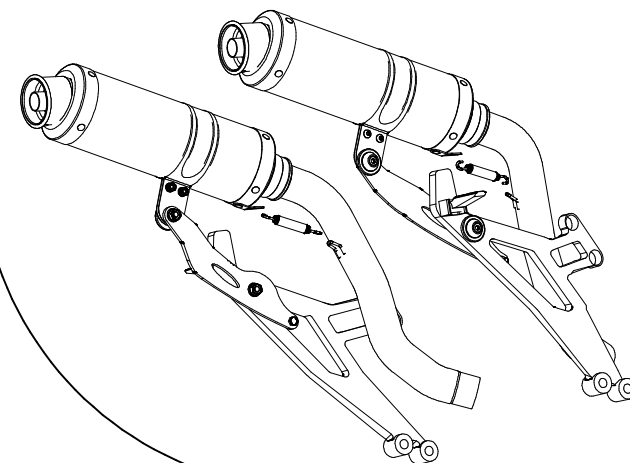


**ELENCO PARTI / PARTS LIST**

#	QTA / QTY	DESCRIZIONE / DESCRIPTION	CODICE / CODE
1	2	DB killer / DB killer	50.DK.021.0
2	2	Silenziatore / Muffler	GP
3	2	Vite M8x40 / Screw M8x40	50.73.075.1
4	4	Rondella in alluminio / Aluminium washer	50.73.063.1
5	2	Pedana / Foot-rest	
6	2	Bussola in alluminio / Aluminium bush	50.73.081.1
7	4	Dado 8 MA flangiato / Flanged nut 8 MA	50.73.052.1
8	6	Rondella M6 / Washer M6	50.72.027.1
9	2	Vite M6x16 / Screw M6x16	50.73.087.1
10	1	Staffa sinistra / Left bracket	50.SS.042.1
11	1	Tubo di raccordo / Link pipe	9773AD001S2SX
12	4	Vite M6 x 12 / Screw M6 x 12	50.72.024.1
13	4	Dado M6 / Nut M6	50.73.146.1
14	2	Vite M8x25 / Screw M8x25	50.73.064.1
15	2	Protezione in gomma per staffa / Rubber protection for bracket	50.73.040.1
16	2	Staffa / Bracket	50.SS.032.0
17	2	Molla / Spring	50.71.080.1
18	2	Tubo in gomma per molla / Rubber pipe for spring	50.73.210.1
19	1	Staffa destra / Right bracket	50.SS.041.1
20	1	Tubo di raccordo / Link pipe	9773AD001S2DX



RIF.: MONTAGGIO PEDANA  
REF.: FOOT-REST FIT

RIF.: MONTAGGIO PEDANA  
REF.: FOOT-REST FIT

**APPLICAZIONI / APPLICATIONS**

CODICE / CODE	TUBO / PIPE	SILENZIATORE / MUFFLER	FASCETTA / CLAMP	OMOLOGAZIONE / HOMOLOGATION
AD.016.L2S	INOX / STAINLESS STEEL	CARBONIO / CARBON FIBER	INOX / STAINLESS STEEL	OMOLOGATO / HOMOLOGATED
AD.016.L6S	INOX / STAINLESS STEEL	TITANIO / TITANIUM	INOX / STAINLESS STEEL	OMOLOGATO / HOMOLOGATED