

Power chart / Leistungschaubild
Graphique de puissance / Grafica de potencia

*This chart compares relative values obtained on a dynometer in relative conditions of temperature and pressure, so don't reflect absolute values.

— Original silencer
- - - Racing silencer
... e9-Approval silencer



www.ixil.com

Ref. **9097**

Adaptable silencer / Adaptable schalldämpfer / Silenciador adaptable / Silencieux adaptable

Mark: **YAMAHA**

Model: **YZF 1000 R1**

Motorcycle Type:

Exhaust Type: **Original position**

* Not contractual document.

* All silencers without e9-Approval number are for competition use only.

* This company reserve the right to update or amend without prior notice.

Fitting kit parts

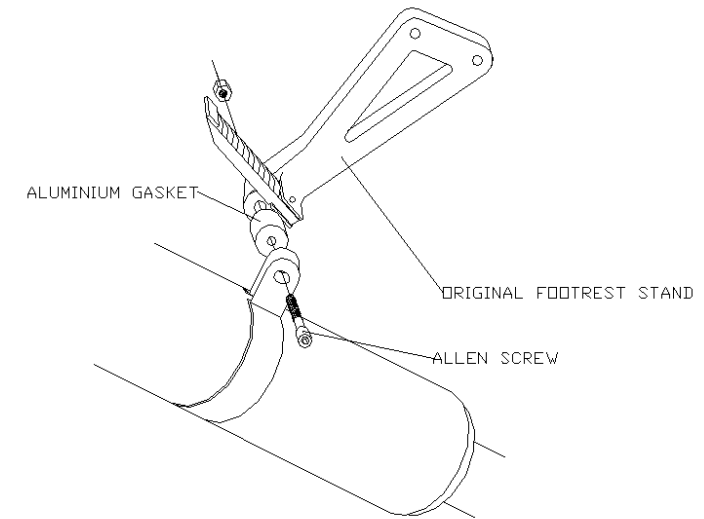
- Entry pipe
- 20mm. Aluminium separator
- M8x60 Screw
- 3 Screw M8x16
- Silicon joint ø60
- M8 Nut
- Screw cover
- Clamp 63-68

GB FITTING INSTRUCTIONS

1. Remove the original silencer.
2. Mount the adaptable silencer as shown in the drawing.
3. Check that the fasteners are properly tightened.

D MONTAGEANLEITUNG

1. Bauen Sie den Original-Schalldämpfer ab.
2. Befestigen Sie den Umbau-Schalldämpfer, wie auf der Zeichnung adgebildet.
3. Überprüfen Sie, ob die Befestigungen richtig festgezogen sind.



F INSTRUCTIONS DE MONTAGE

1. Démonter le silencieux d'origine.
2. Monter le silencieux adaptable comme indiqué sur le schéma.
3. Vérifier si le fixations sont bien serrées.

E INSTRUCCIONES DE MONTAJE

1. Desmontar el silenciador original.
2. Montar el silenciador adaptable como muestra la figura.
3. Comprobar que las fijaciones estén debidamente apretadas.

