



Ref. **9009**

www.ixil.com

Adaptable silencer / Adaptable schalldämpfer / Silenciador adaptable / Silencieux adaptable

Mark: **YAMAHA**

Model: **YZF 125 R**

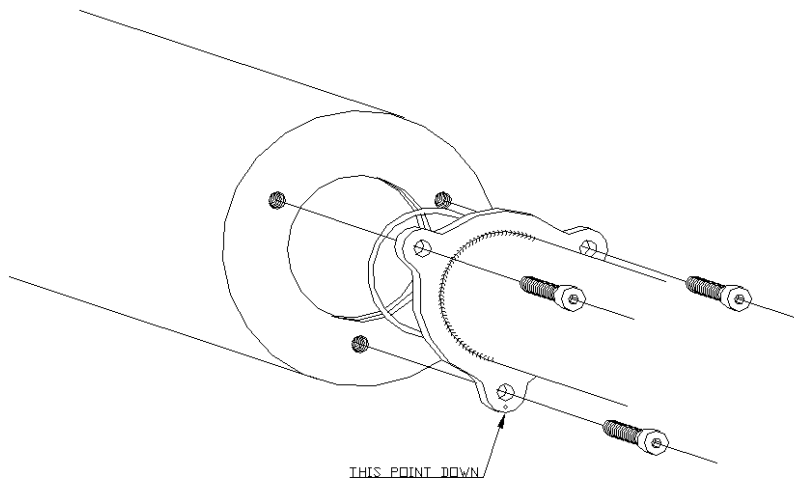
Motorcycle Type: **RE06**

Exhaust Type: **Original position**

* Not contractual document.

* All silencers without e9-Approval number are for competition use only.

* This company reserve the right to update or amend without prior notice.



Fitting kit parts

- 1 x OY9009T Connecting pipe
- 2 x C20GR Aluminium spacer
- 1 x TLL0M8X20D7984 Screw
- 1 x TLL0M8X70D912 Screw
- 1 x J60 Silicon joint
- 1 x EMBM8 Screw cover
- 1 x TUERM8D6923 Nut

GB FITTING INSTRUCTIONS

1. Remove the original silencer.
2. Mount the adaptable silencer as shown in the drawing.
3. Check that the fasteners are properly tightened.

D MONTAGEANLEITUNG

1. Bauen Sie den Original-Schalldämpfer ab.
2. Befestigen Sie den Umbau-Schalldämpfer, wie auf der Zeichnung adgebildet.
3. Überprüfen Sie, ob die Befestigungen richtig festgezogen sind.



F INSTRUCTIONS DE MONTAGE

1. Démonter le silencieux d'origine.
2. Monter le silencieux adaptable comme indiqué sur le schéma.
3. Vérifier si le fixations sont bien serrées.

E INSTRUCCIONES DE MONTAJE

1. Desmontar el silenciador original.
2. Montar el silenciador adaptable como muestra la figura.
3. Comprobar que las fijaciones estén debidamente apretadas.

