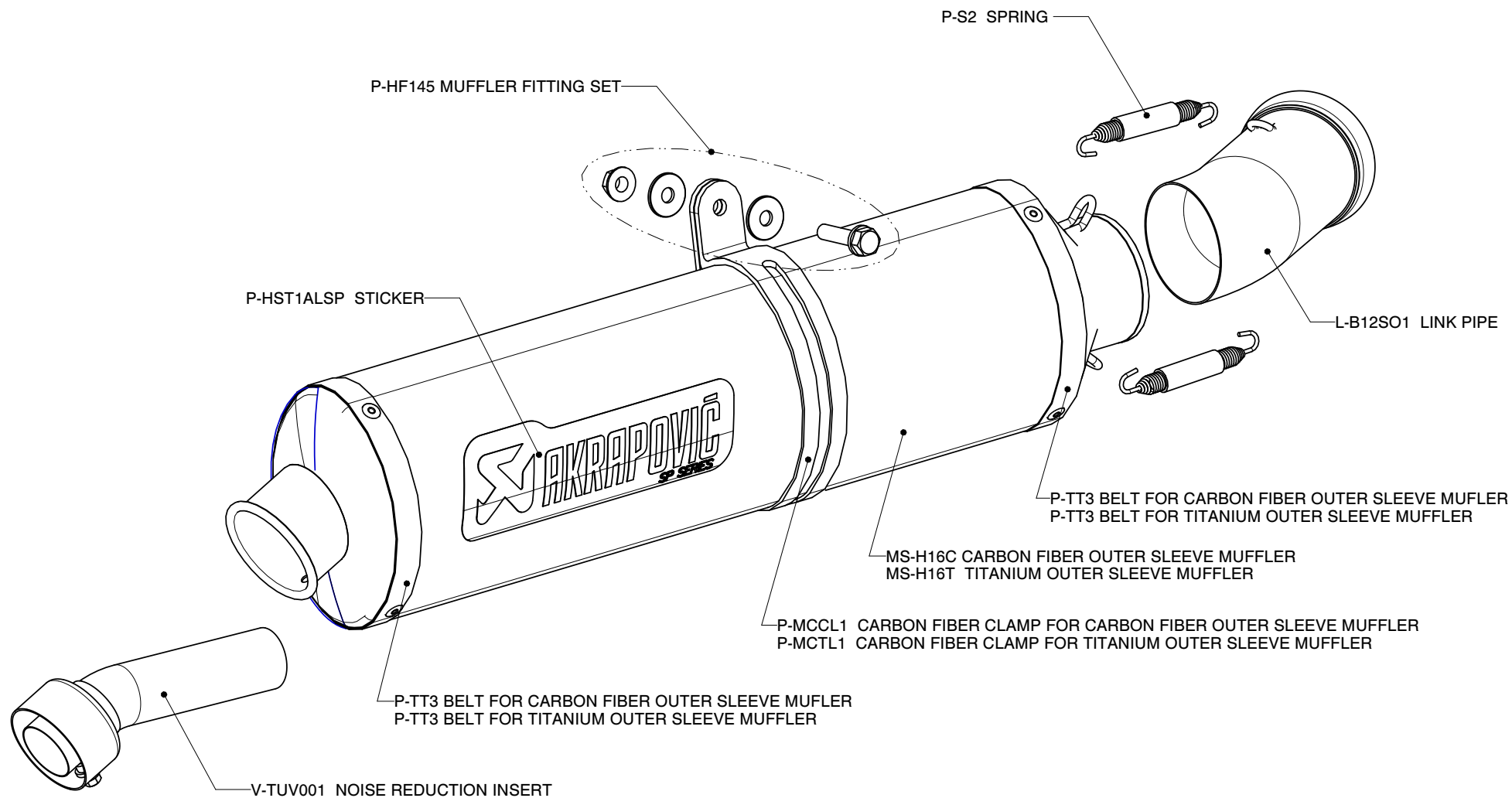


BMW K1200R, SLIP-ON exhaust system / Street legal
BMW K1200R, SLIP-ON exhaust system / Street legal
Product code: SS-B12SO1-HC
SS-B12SO1-HT

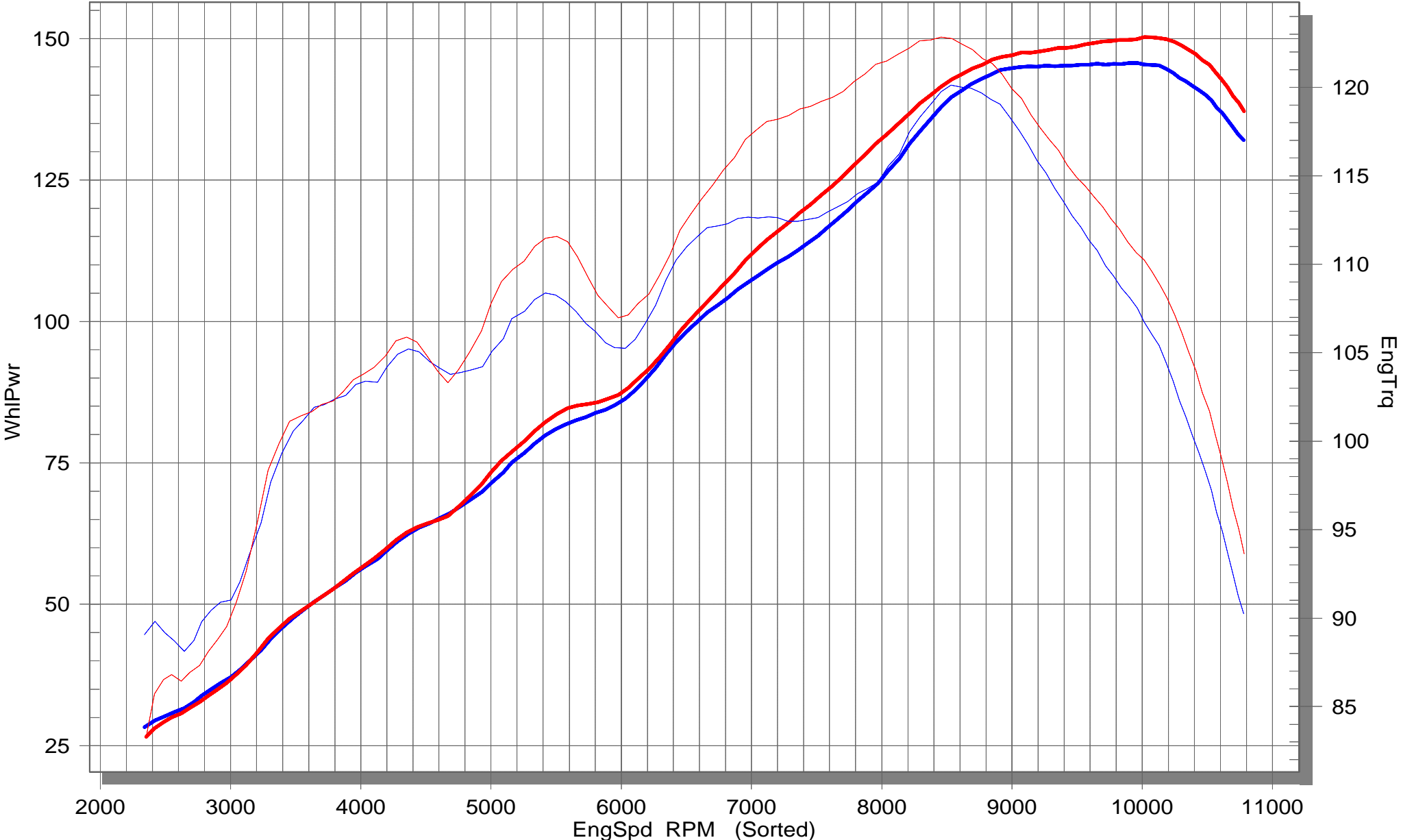


MUFFLER REPAIR KITS	
REPACK	P-RPCK18
SLEEVE	P-RKS74TL50 - TITANIUM
	P-RKS74CL50 - CARBON

BMW K1200R 2005

STOCK EXHAUST

AKRAPOVIC SLIP-ON EXHAUST



e1 0572



EC Type-Approval Certificate

for non-original motorcycle exhaust system



501176

Component approval No.:	e1*97/24*2003/77/9/III/2B*0572*00
Issued by:	Kraftfahrt-Bundesamt, Office building, Fördestraße 16, 24944 Flensburg, Germany
Place & date of type-approval:	Flensburg, 01.03.2006
Report No.:	06-00031-CM-GEM-00
Issued by:	TÜV Automotive GmbH TÜV SÜD Gruppe Engineering Center Garching DE-85748 Garching
Date of issue:	08.02.2006
Approval identification:	e1 0572

Type and version of exhaust: M-H16 / M-H16C, M-H16T, MS-H16C, MS-H16T

Technical unit: Technical unit, consisting out of one silencer according to drawing no. M-H16, oval $\varnothing 140 \times 110$ mm, length 500 mm without end caps, absorption-reflection-principle with an outlet pipe $\varnothing 32$ mm in combination with original header system.

Marking: Laser engraved on the endcap

Field of application:

Manufacturer	Commercial description	Vehicle type (and no. of homologation)	Engine type	Component parts, dimensions in mm	Dimensions of the part in mm original part / replacement part	Akrapovic part no.
BMW	K 1200 S	K12S (e1*0217*)	12 4E D with cat.	Header pipes	Original part	
	K 1200 R	K12R (e1*0234*)		Link pipe	-	L-B12SD1
				Silencer (outlet pipe $\varnothing 32$)	Oval $\varnothing 140 \times 110$ Length without endcaps 500	MS-H16C or MS-H16T