



SUZUKI GSR750

SLIP-ON (EC Type approval) EXHAUST SYSTEM

SUZUKI GSR750

SLIP-ON (EC Type approval) EXHAUST SYSTEM

DESCRIPTION

The Akrapovič Slip-On exhaust system is designed for riders who do not want to make expensive and major modifications to their stock exhaust system. However, the Hexagonal muffler delivers great looks as well as increased performance for the popular Suzuki. The Akrapovič Slip-On system is also EC Type approved.

PERFORMANCE

Measurements of the Akrapovič Slip-On system on the Suzuki GSR750 (without muffler insert):

Power & Torque:

The Akrapovič Slip-On exhaust system increases your engine power and its torque at practically every rpm. Especially from 5000 rpm on, the Akrapovič Slip-On exhaust system adds an increase in power, all the way up to the top of the rpm range.



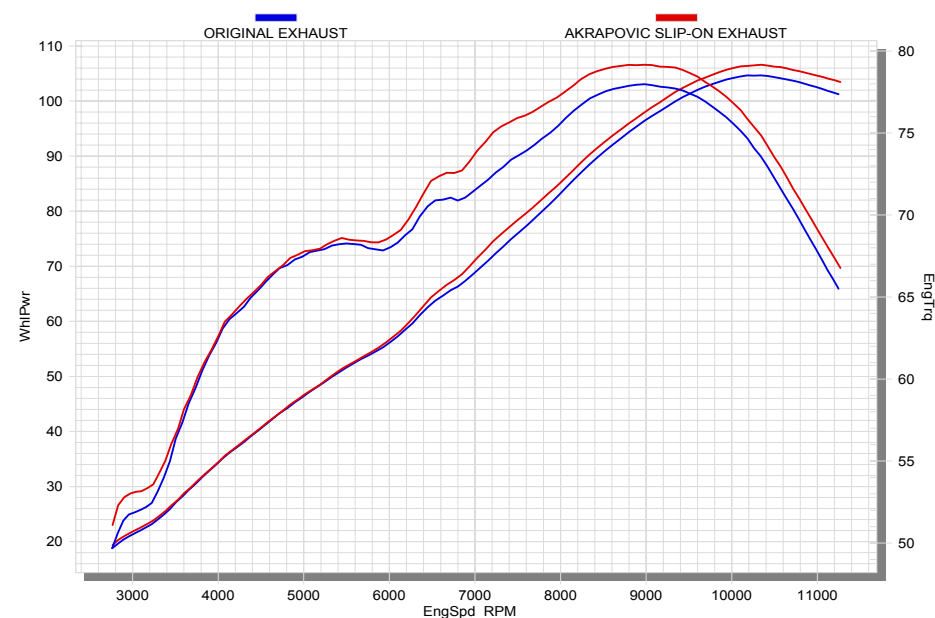
PERFORMANCE			
	stock	AKRAPOVIC	max. increased power
max. rear wheel power HP / rpm (measured on SuperFlow Cycle Dyn)	104.7 / 10330	106.6 / 10340	2.1 / 7240

ADDITIONAL DATA					
weight comparison (kg)	stock	AKRAPOVIC		difference	
	4.5	SS link pipe	TITANIUM link pipe	stock - S.S.	stock - TITANIUM
		2	-	2.4	-

noise measurements (dB / rpm)	stock	AKRAPOVIC
		88 / 5000
EC Type approval	YES	

Technical specifications of Akrapovic exhaust systems and related products subject to change without notice.

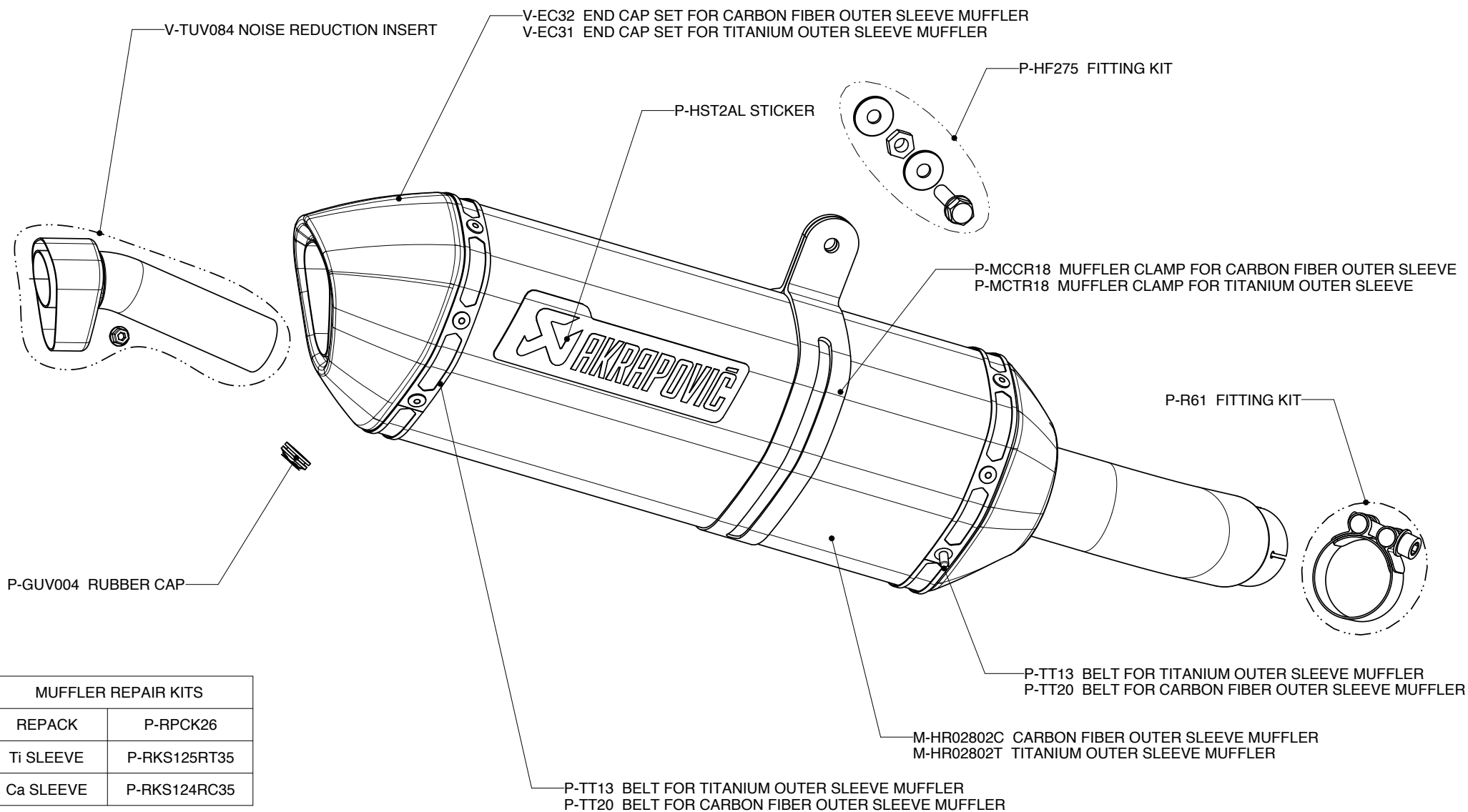
Product code: S-S7SO1-HRT
S-S7SO1-HRC



www.akrapovic.com

Akrapovic d.d. 2011 all rights reserved

09.06.2011



MUFFLER REPAIR KITS	
REPACK	P-RPCK26
Ti SLEEVE	P-RKS125RT35
Ca SLEEVE	P-RKS124RC35