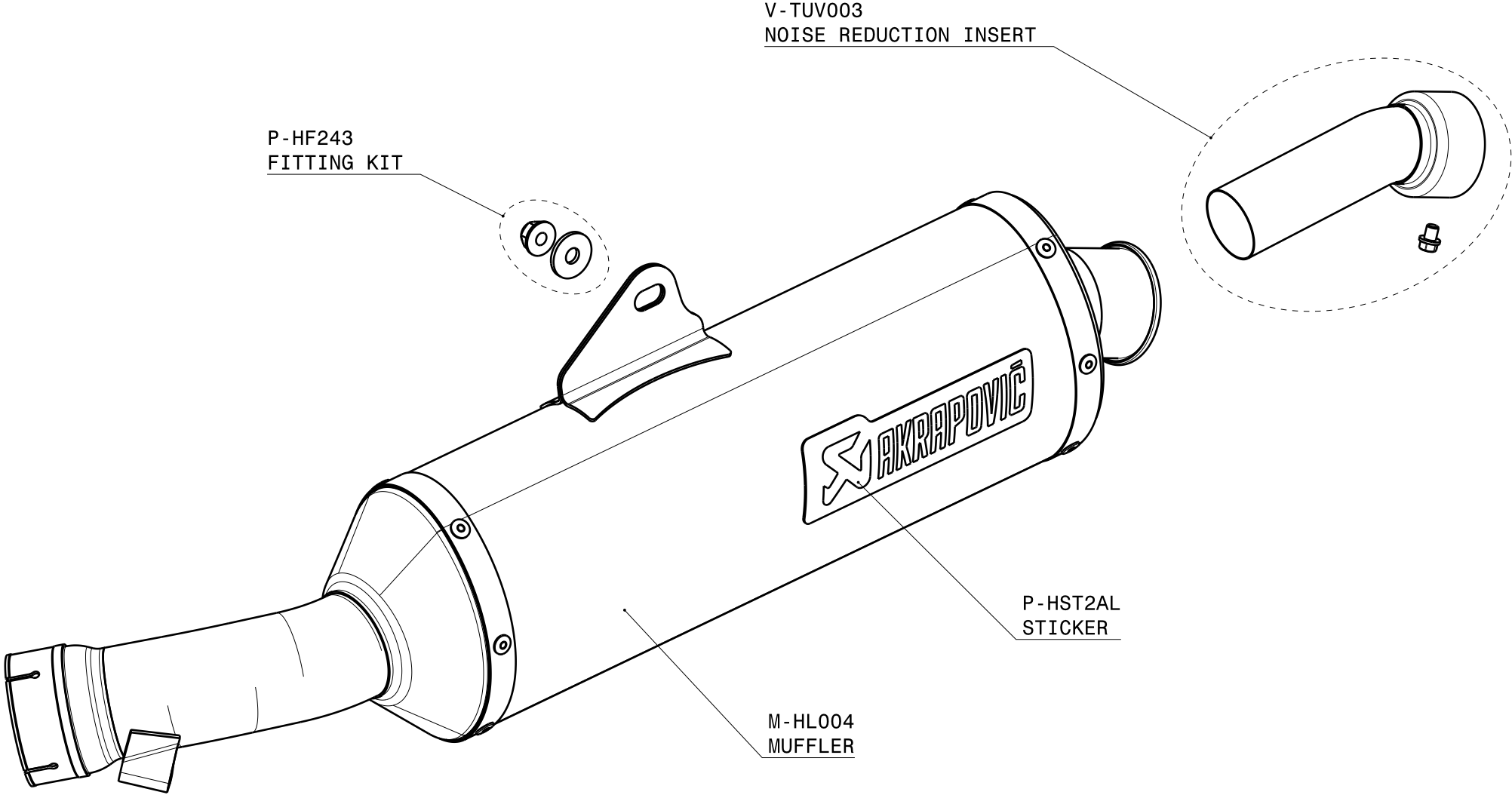


BMW R1200R Slip-on system, street legal

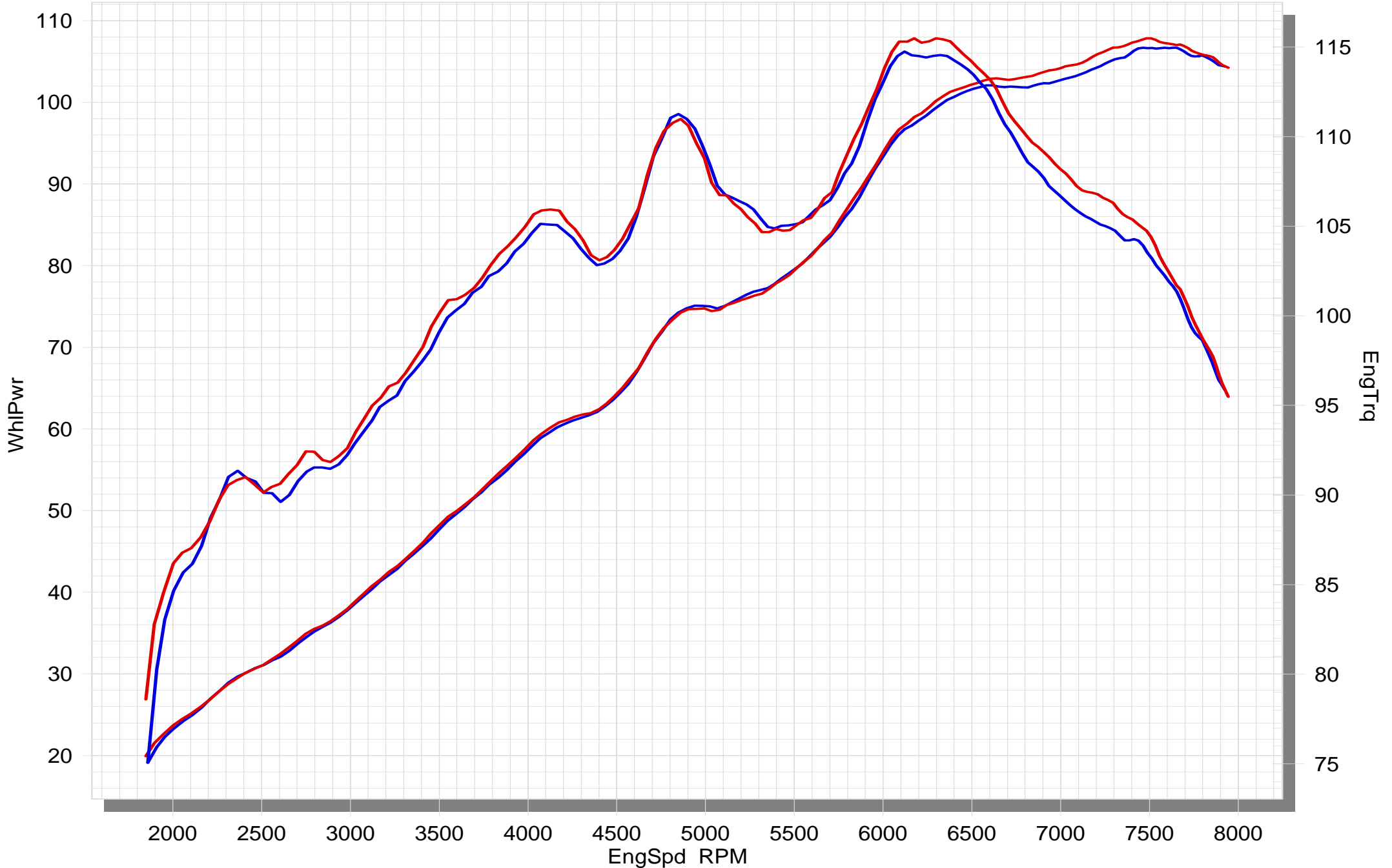
Product code: S-B12SO8-HLT



# BMW R1200R

STOCK EXHAUST

AKRAPOVIC SLIP-ON EXHAUST



e24 0143 (9)



## Street-legal component approval certificate

for non-original motorcycle exhaust system



\*502848\*

<b>Component approval No.:</b>	e24*97/24*2009/108/9/III*0143*00
<b>Issued by:</b>	NATIONAL STANDARDS AUTHORITY OF IRELAND Certification Services - Operations Manufacturing 1 swift Square, Northwood, Santry, Dublin 9, Ireland
<b>Place &amp; date of type-approval:</b>	Dublin, 21.10.2010
<b>Report No.:</b>	10-00109-CM-GBM
<b>Issued by:</b>	TÜV SÜD AUTOMOTIVE GMBH TÜV SÜD Gruppe DE-85748 Garching
<b>Date of issue:</b>	14.10.2010
<b>Approval identification:</b>	e24 0143 (9)

### Type and version of exhaust:

M-HL004 / M-HL00402T, M-HL00402C, M-HL00403T, M-HL00403C, M-HL00405T, M-HL00405C, M-HL00406T, M-HL00406C.

### Marking:

Engraved by laser / plate fixed with rivets.

### Field of application:

Manufacturer- Trade mark	Commercial description	Vehicle type ( and no. of homologation )	Engine type	Component parts, dimensions in mm	Dimensions of the part in mm or original part / replacement part	Part no. or Homologation no.
BMW	R 1200 R	R12T (e1*0230*07)	I2 ZE J	Header pipes with catalytic converter and Exup valve Silencer (outlet pipe ø 38)	Original parts Oval 113x143 Length without end cap 390 mm	- M-HL004