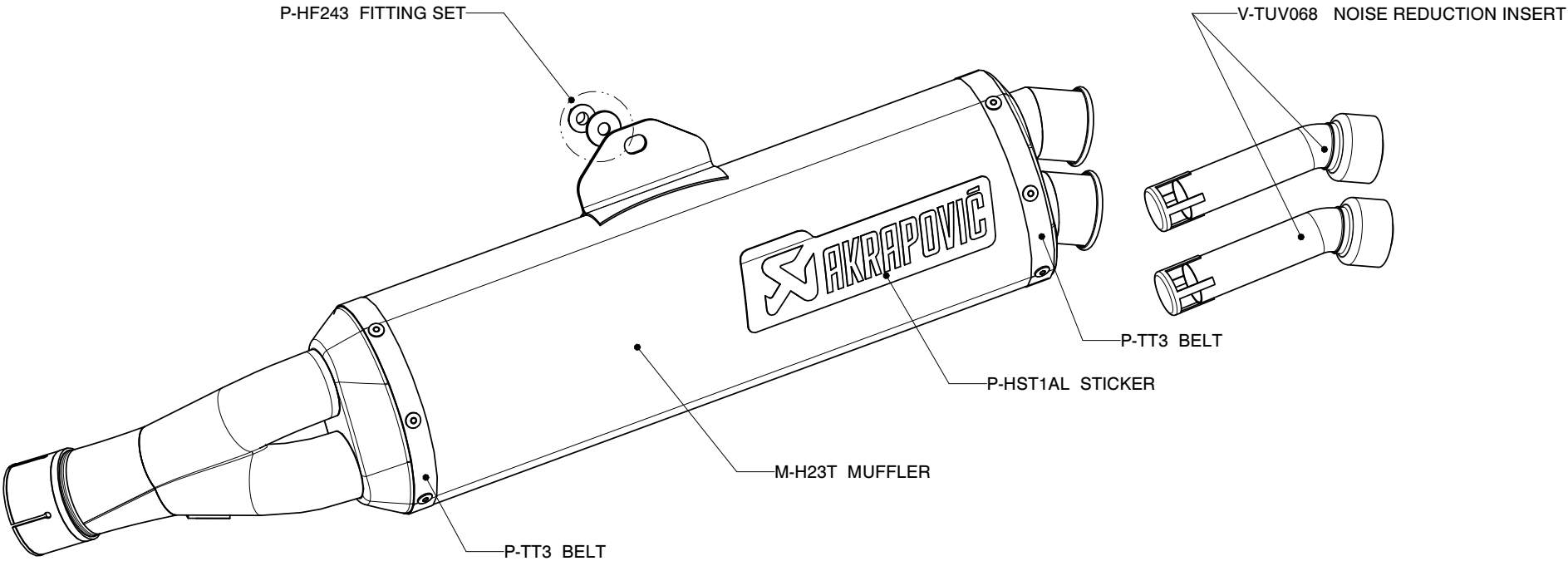


**BMW R1200R, SLIP-ON exhaust system / Street legal**  
**Product code:S-B12SO5-HLT**

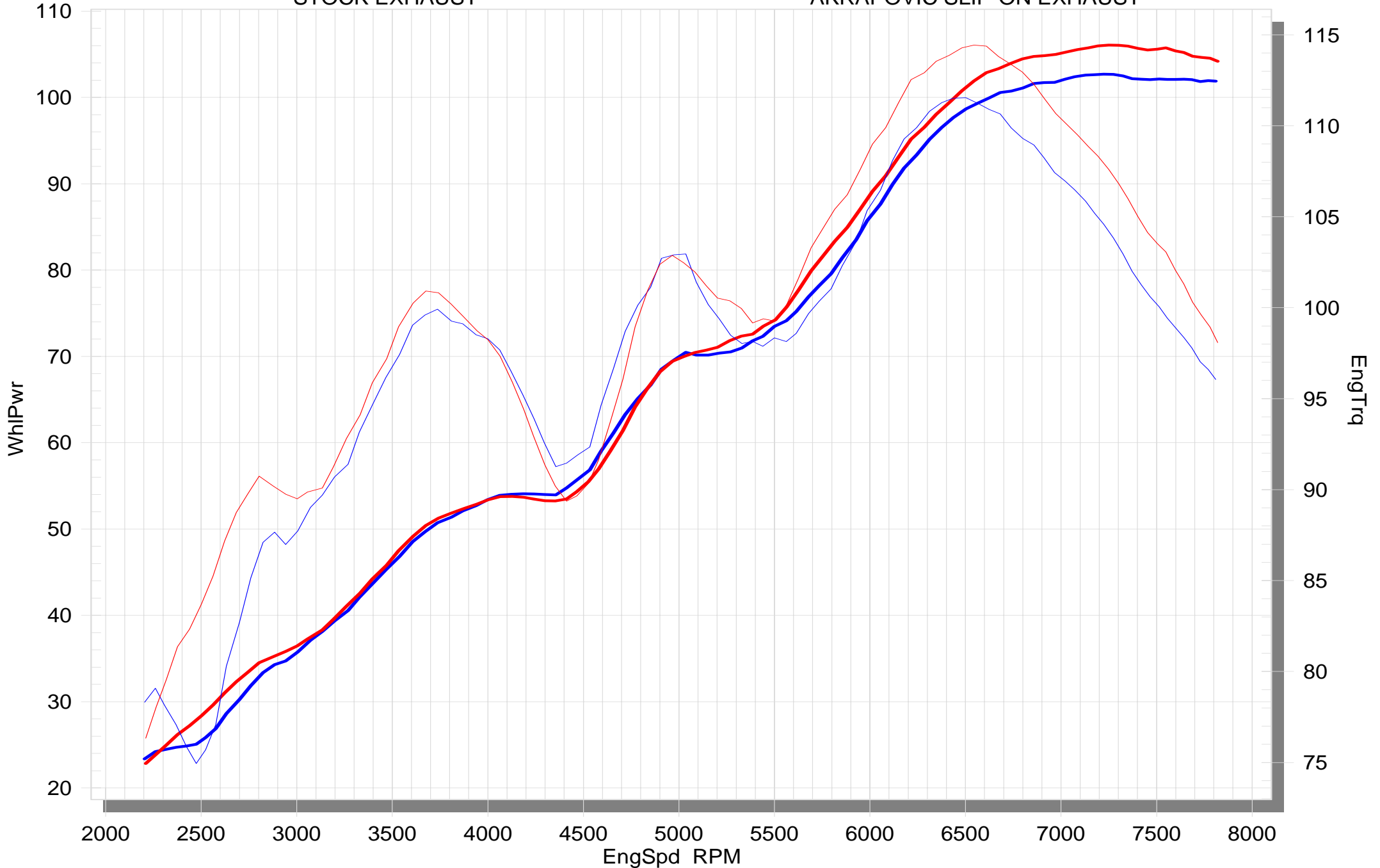


MUFFLER REPAIR KITS	
REPACK	P-RPCK33
SLEEVE	P-RKS140TL45

# BMW R1200R 2007

STOCK EXHAUST

AKRAPOVIC SLIP-ON EXHAUST



e1 0654 (9)



## EC Type-Approval Certificate

for non-original motorcycle exhaust system



\*501542\*

<b>Component approval No.:</b>	e1*97/24*2005/30/9/III*0654*00
<b>Issued by:</b>	Kraftfahrt-Bundesamt, Office building, Fördestraße 16, 24944 Flensburg, Germany
<b>Place &amp; date of type-approval:</b>	Flensburg, 26.02.2007
<b>Report No.:</b>	06-00272-CM-GBM
<b>Issued by:</b>	TÜV SÜD AUTOMOTIVE GMBH TÜV SÜD Gruppe DE-85748 Garching
<b>Date of issue:</b>	21.12.2006
<b>Approval identification:</b>	e1 0654 (9)

**Type and version of exhaust:** M-H23 / M-H23C, M-H23T, M-H23CB, M-H23TB, MS-H23C, MS-H23T, MS-H23CB, MS-H23TB

**Technical unit:** Technical unit, consisting out of one silencer according to drawing no. M-H23T, oval 140 x 110 mm, length 450 mm without endcaps, absorption-reflection-principle with two outlet pipes  $\varnothing$  28 mm in combination with original header system.

**Marking:** Engraved by laser / plate fixed with rivets.

### Field of application:

Manufacturer	Commercial description	Vehicle type ( and no. of homologation )	Engine type	Component parts, dimensions in mm	Dimensions of the part in mm or original part / replacement part	Akrapovic part no.
BMW	R1200R	R12T (e1*0230*)	12 2E F with cat.	Header pipes	Original part	-
	R1200ST			Pre-silencer with catalytic converter	Original parts	-
	R1200RT	R12T (e1*0228*)		Rear silencer (two outlet pipes $\varnothing$ 28)	Oval $\varnothing$ 110 x 140 Length without end caps 450	M-H23... or MS-H23..